


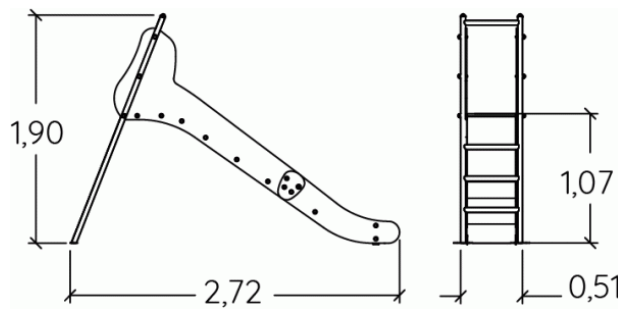
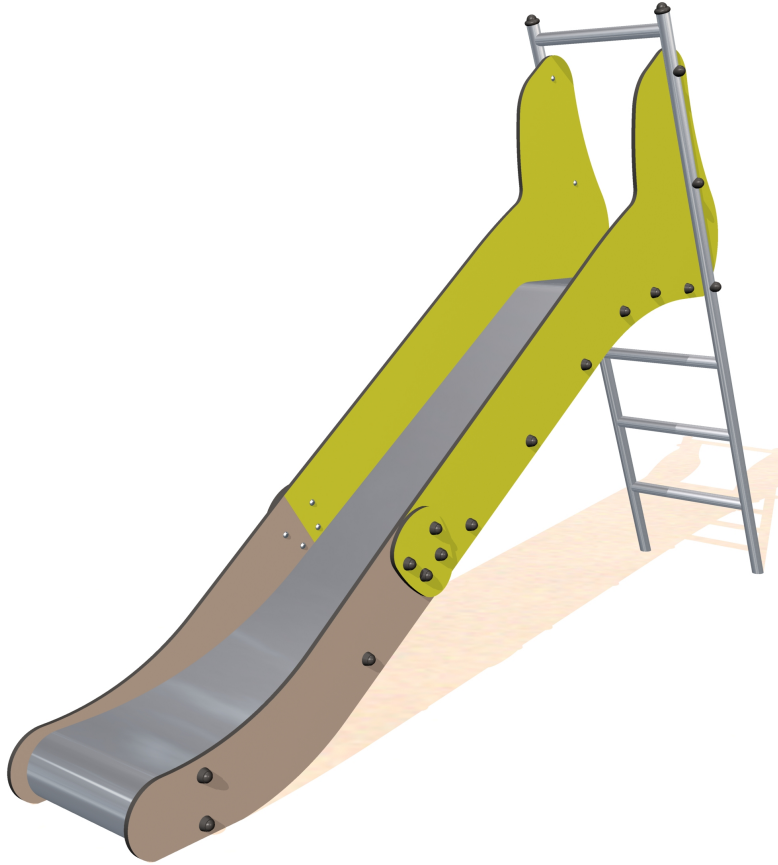
 **2+**
 **5**
 **1,07m**



 1 = 2,72m
 2 = 0,51m
 3 = 1,9m



Motor inclusion
 Sensory inclusion
 Mental inclusion



Play value : **3**

sliding



x1

meeting



x1



climbing

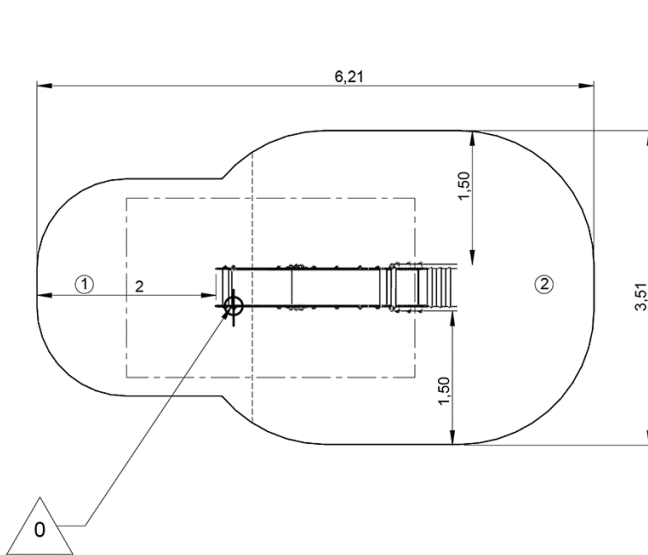




x1

Installation of equipment

IMPORTANT: It is essential to refer to the installation instructions for information on the size of the safety areas.

-  Impact area (minimum normative surface)
-  Free space



		
1	1m	5,5m ²
2	1,07m	12,5m ²



2



01h30



0.1m³



18m²



68kg



18kg

