



1-5



5



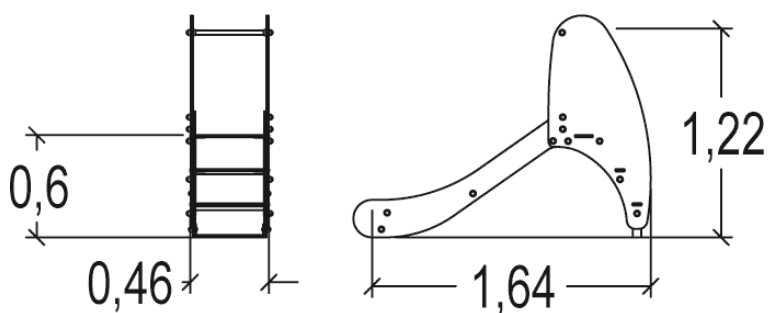
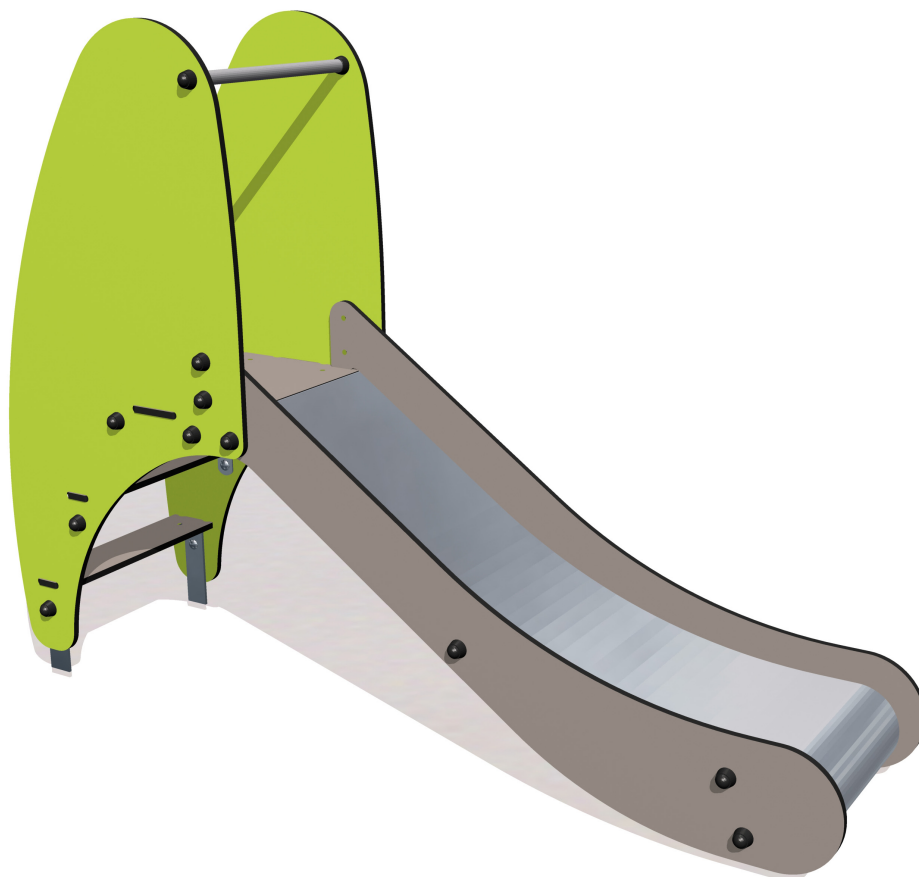
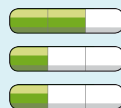
1m



1 = 1,76m 2 = 0,46m 3 = 1,3m



Motor disabilities  
 Sensorial disabilities  
 Learning disabilities



Play value : 3

sliding

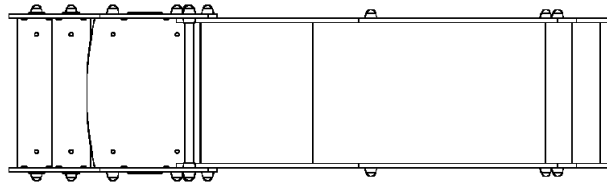


meeting



climbing

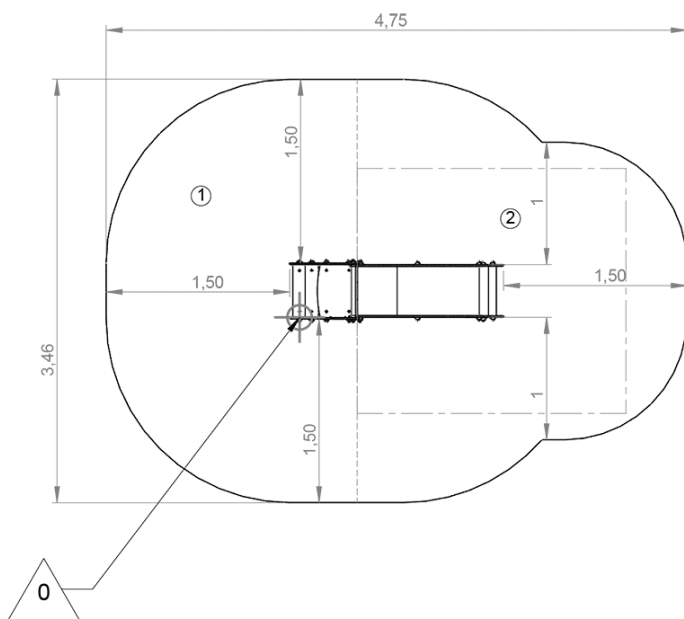






## Installation of equipment

Impact area =

-  Impact area
-  Free space



		
1	0,6m	6,5m <sup>2</sup>
2	1m	7,5m <sup>2</sup>



2



h



0m<sup>3</sup>



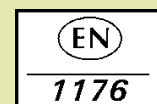
14m<sup>2</sup>



42kg



11kg



0000-00-00