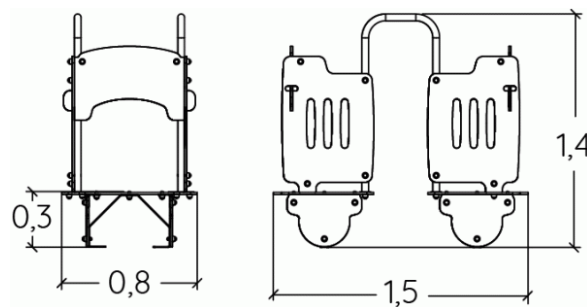
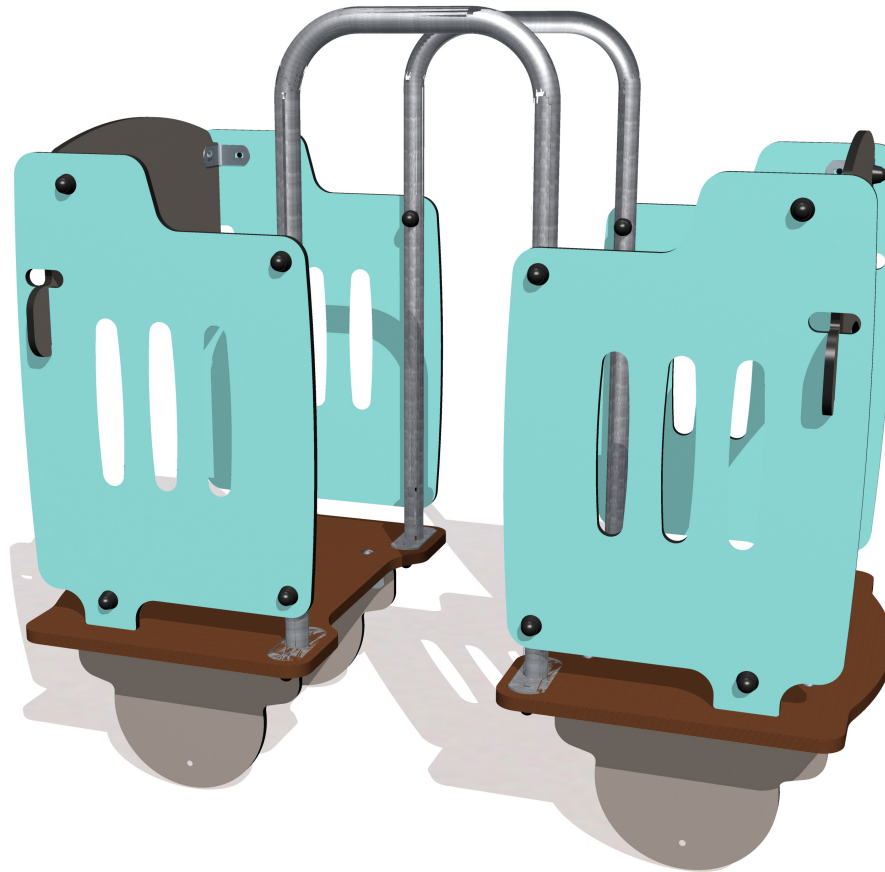
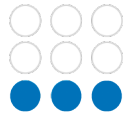


Physical inclusion
Sensory inclusion
Cognitive inclusion



Play value : **3**

role play

meeting

resting



x1

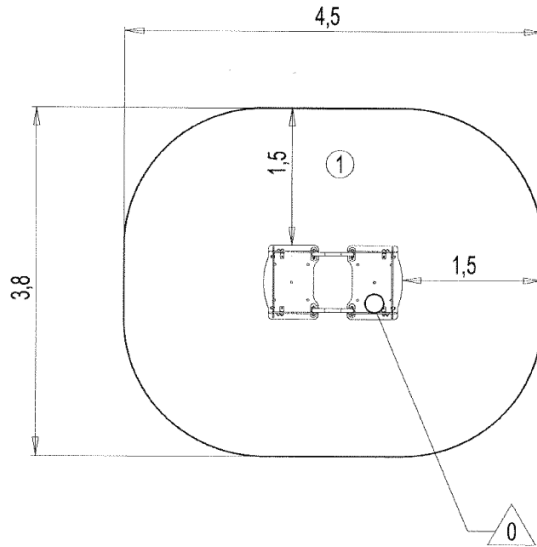
x1

x1



Installation of equipment

IMPORTANT: It is essential to refer to the installation instructions for information on the size of the safety areas.

-  Impact area (minimum normative surface)
-  Free space



Point de Référence
Setting Out Point
Punto de referencia
Bezugspunkt

		
1	0,33m	15m ²



2



00h00



0m³



15.5m²



67kg



7kg

