



2+



1



0,53m



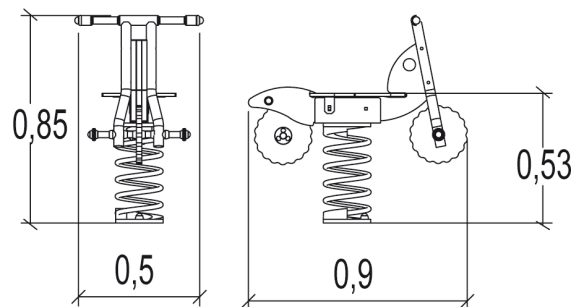
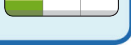
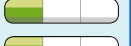
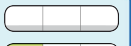
1 = 0,9m 2 = 0,5m 3 = 0,85m



Motor disability

Sensorial disabilities

Learning disabilities



Play value :

3

swinging

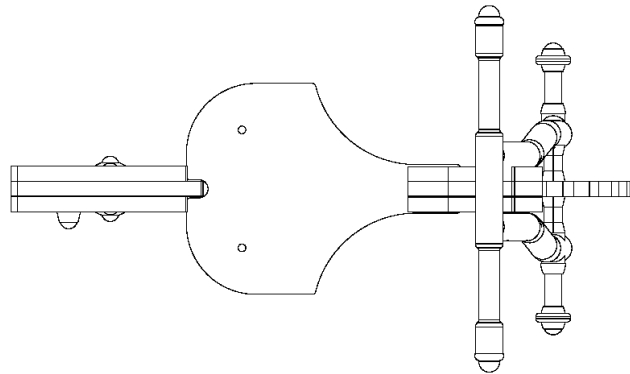


balancing



meeting / role play

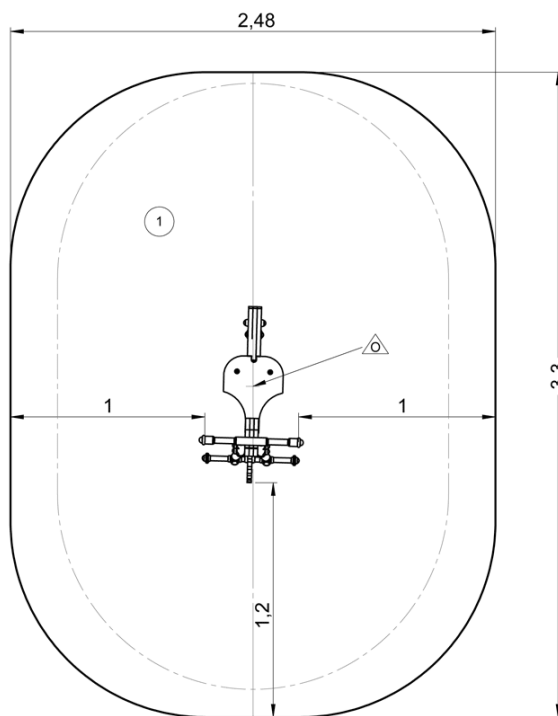






Installation of equipment

Impact area =

 Impact area
 Free space



		
1	0,53m	7,5m ²



1



01h15



0m³



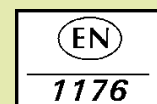
7.5m²



31kg



10kg



Proludic

2003-10-16