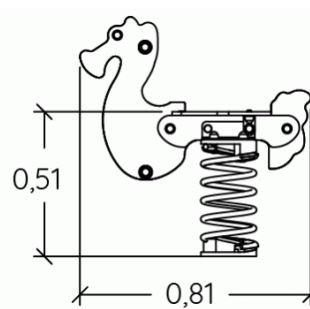
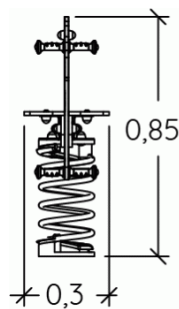
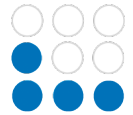


Physical inclusion  
Sensory inclusion  
Cognitive inclusion



**Play value :**      **3**

role play

balancing

Oscillate



x1





x1

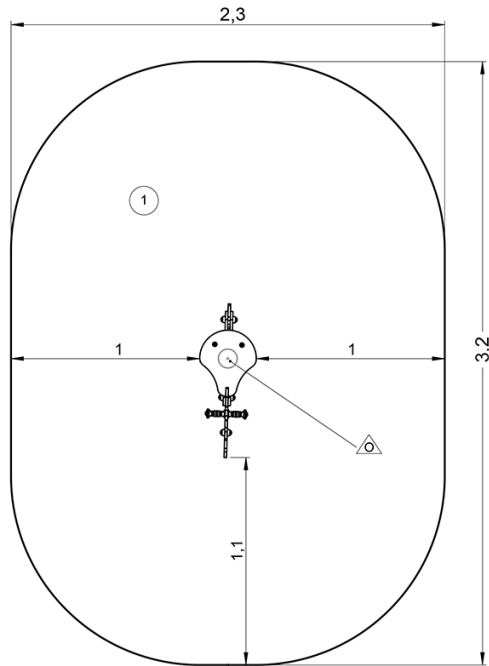




x1

## Installation of equipment

**IMPORTANT:** It is essential to refer to the installation instructions for information on the size of the safety areas.

-  Impact area (minimum normative surface)
-  Free space



		
1	0,6m	6,5m <sup>2</sup>



2



0m<sup>3</sup>



6.5m<sup>2</sup>



24kg



10kg

