



1-8



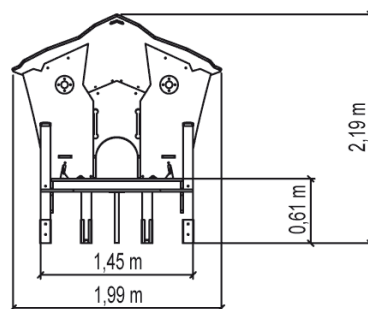
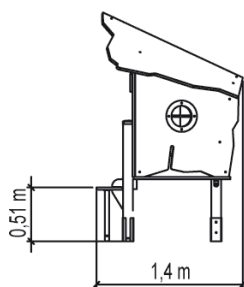
12



0,6m



1 = 2m 2 = 1,35m 3 = 2,16m



## Play value

meeting / role play

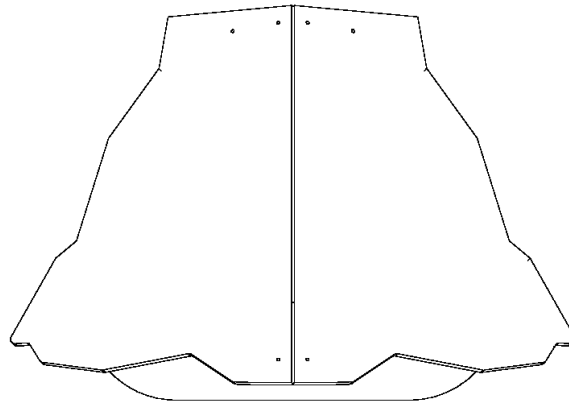


hiding / resting



climbing

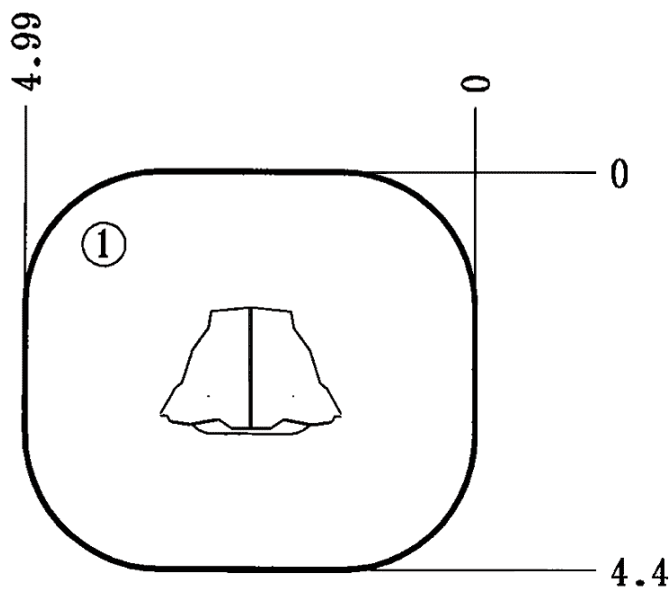






## Installation of equipment

Impact area =

-  Impact area
-  Free space



		
1	0,60m	20m <sup>2</sup>



2



03h10



0.1m<sup>3</sup>



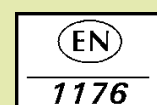
20m<sup>2</sup>



187kg



23kg



*Proludic*

2007-01-01