



2+



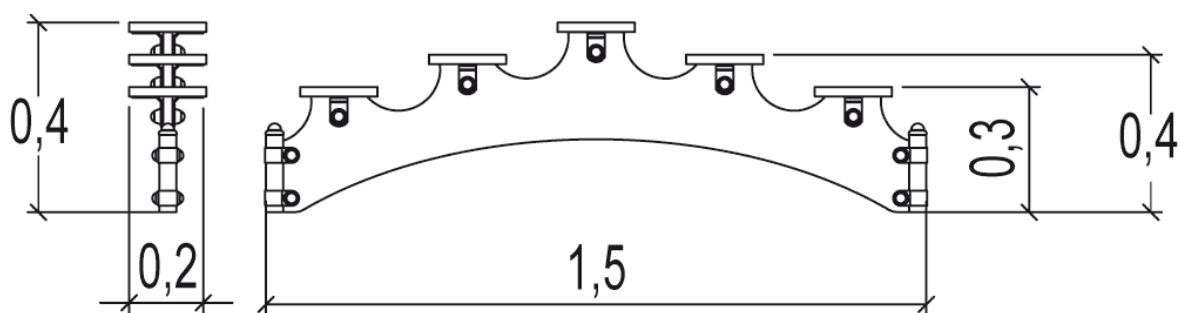
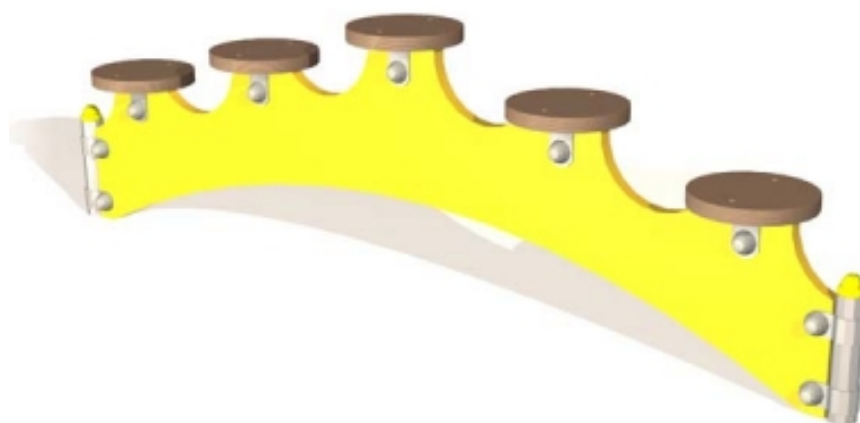
2



0,45m



1 = 1,5m 2 = 0,2m 3 = 0,4m



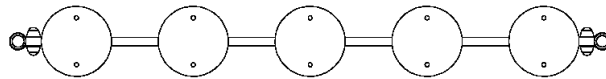
Play value

balancing



Accessibility

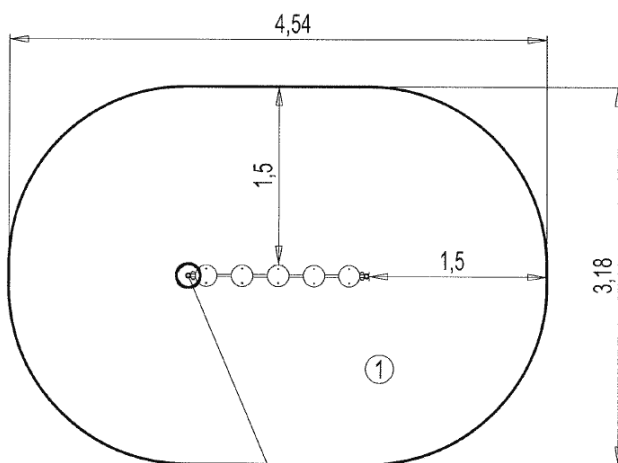
- Motor disability
- Sensorial Disabilities
- Learning Disabilites





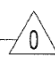
Installation of equipment

Impact area =

 Impact area
 Free space



		
1	0,45m	13m ²

 Point de Référence
 Setting Out Point
 Punto de referencia
 Bezugspunkt



1



00h45



0.06m³



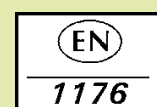
13m²



12kg



3kg



Proludic

2007-01-01