



5+



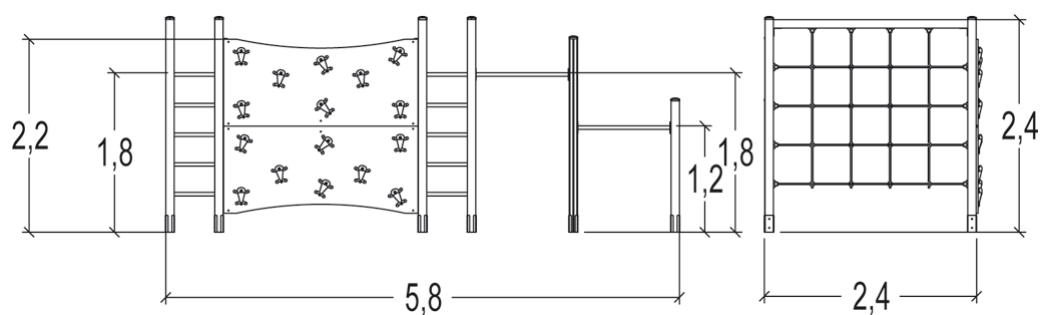
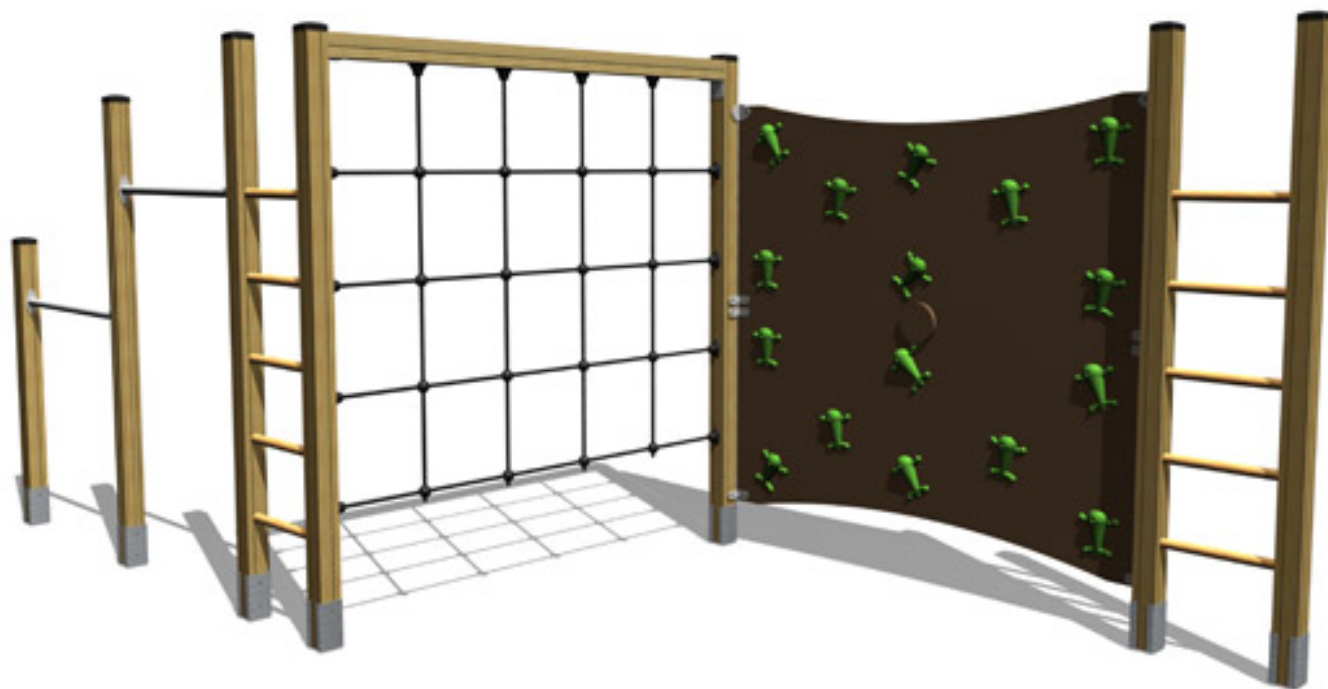
14



2,4m



1 = 5,82m 2 = 2,6m 3 = 2,4m



Play value

climbing



x1

hanging



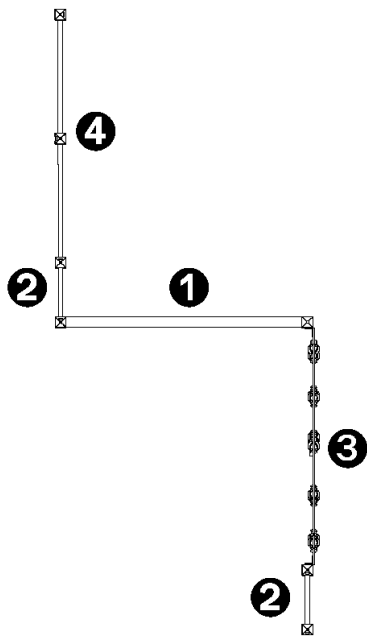
x1

climbing



x2

Number of play elements: 4

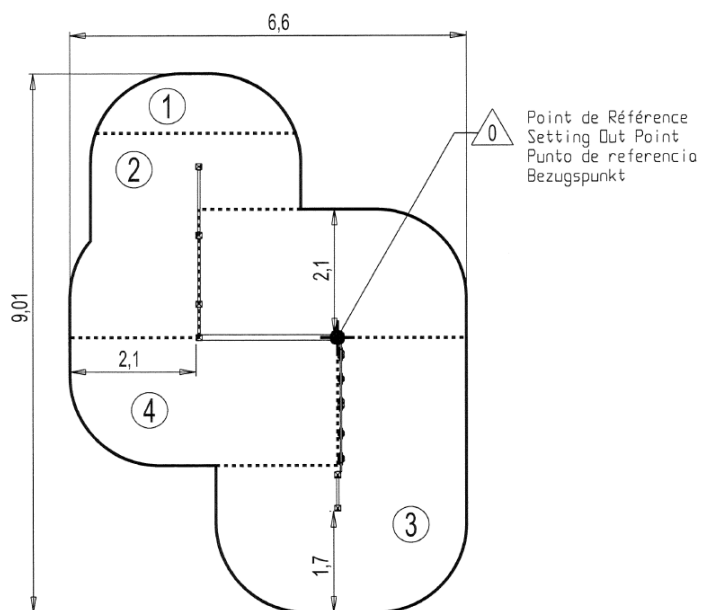


- ① Climbing net - G1605
- ② Step ladder - G1609
- ③ Climbing wall - G1606
- ④ Horizontal bar HT: 1.2m et 1.8m - G1610

Installation of equipment

Impact area =

- Impact area
- Free space



1	1,20m	3m ²
2	1,8m	9m ²
3	2,2m	14m ²
4	2,4m	18,5m ²



2



05h00



0.2m³



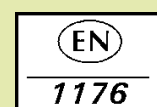
44.5m²



242kg



39kg



Proludic

2013-08-27