



5+



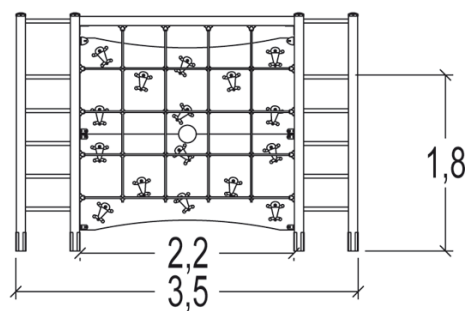
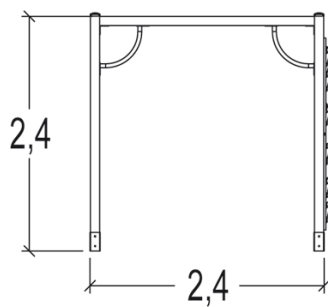
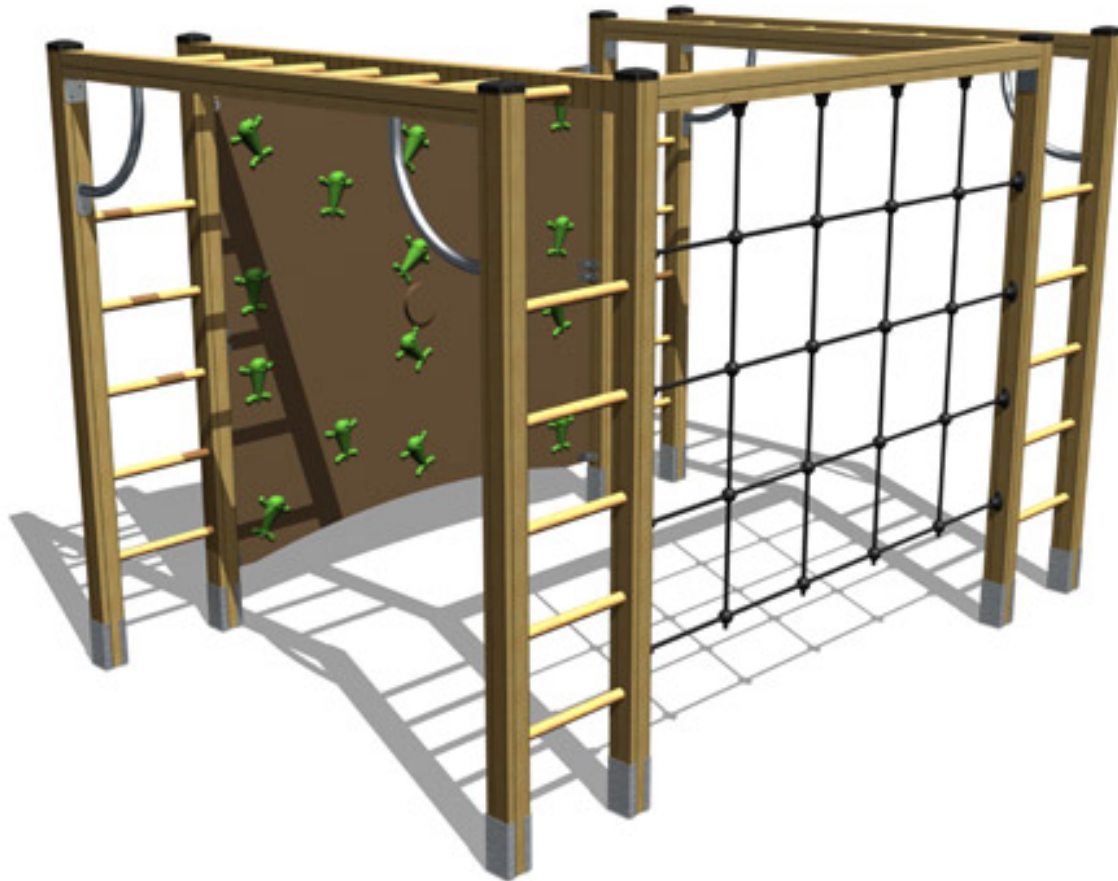
20



2,4m



1 = 3,5m 2 = 2,4m 3 = 2,4m



Play value

climbing



x1

hanging



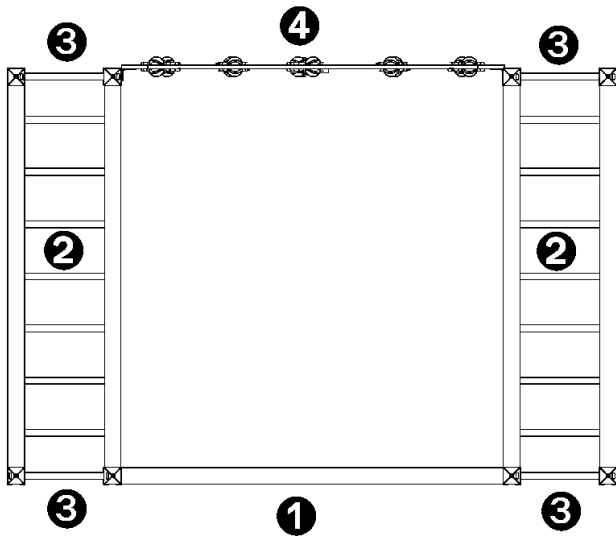
x1

climbing



x2

Number of play elements: 4

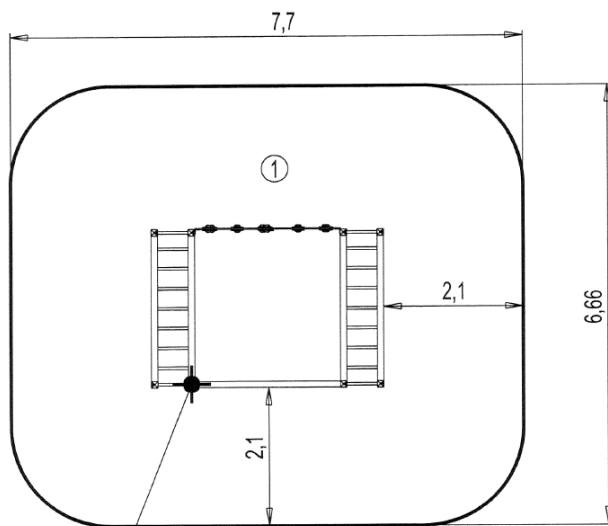


- ① Climbing net - G1605
- ② Suspension ladder - G1608
- ③ Step ladder - G1609
- ④ Climbing wall - G1606

Installation of equipment

Impact area =

- Impact area
- Free space



Point de Référence
Setting Out Point
Punto de referencia
Bezugspunkt

1	2,40m	49,5m ²



2



07h00



0.3m³



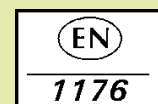
49.5m²



335kg



39kg



Proludic

2013-08-27