

# Tasakaalu- ja ronimisvahendid

# J1608



5+



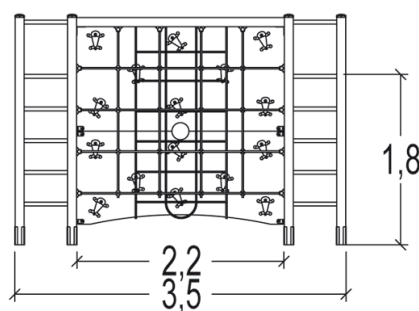
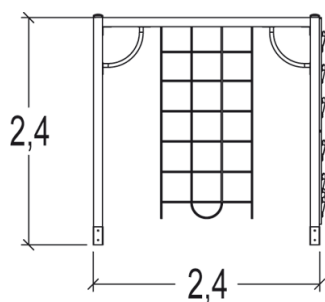
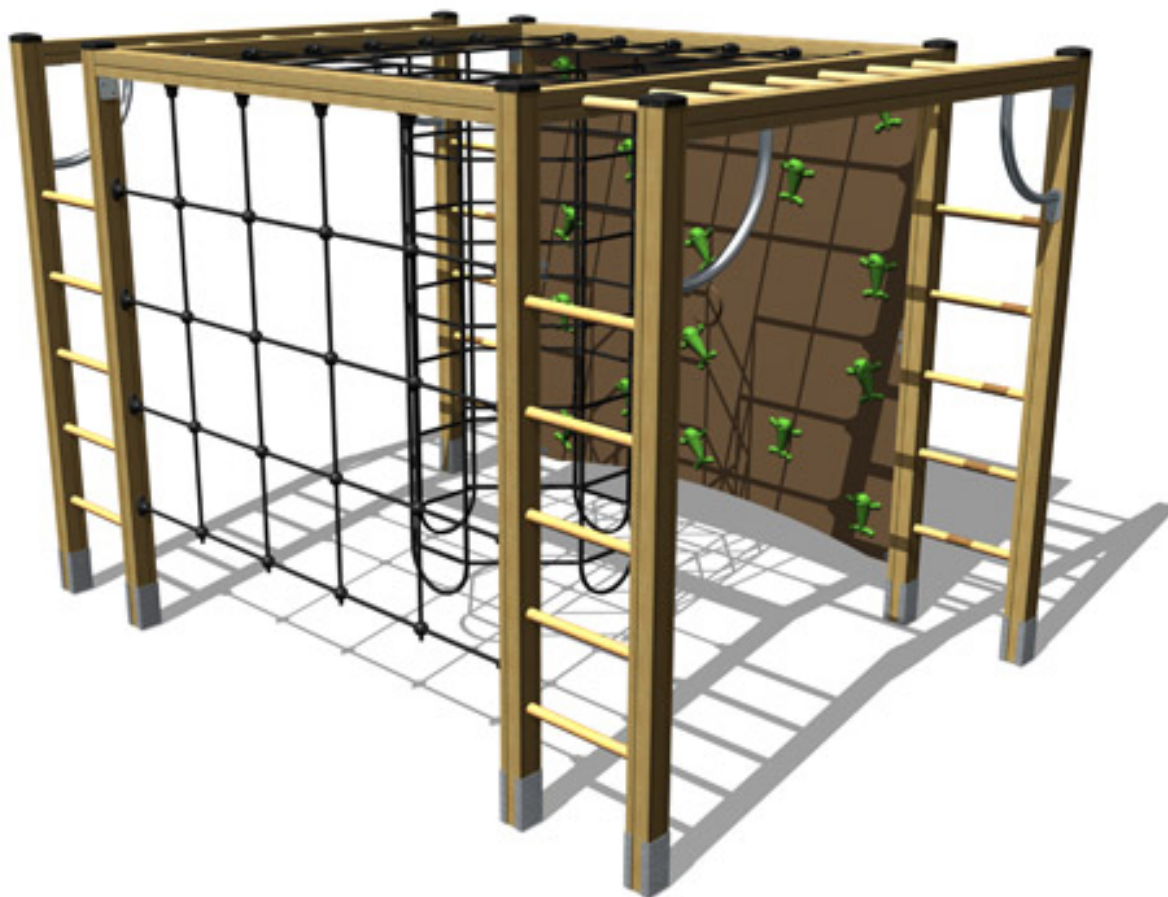
20



2,4m



1 = 3,5m 2 = 2,4m 3 = 2,4m



## Play value

climbing



x1

hanging



x1

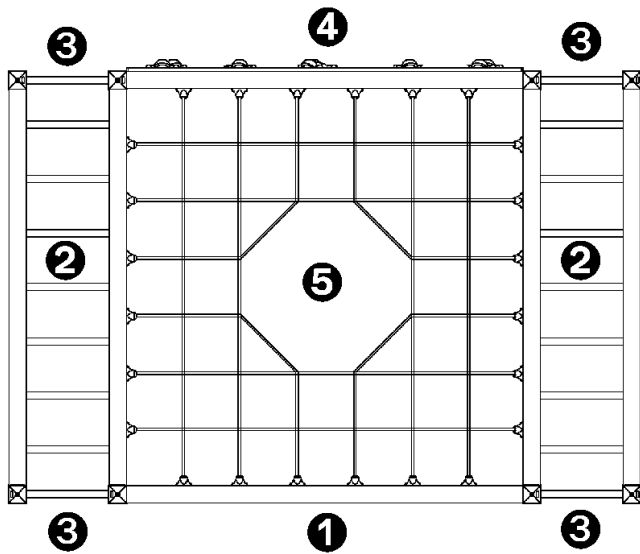
climbing



x3

Number of play elements: 5

*Proludic*

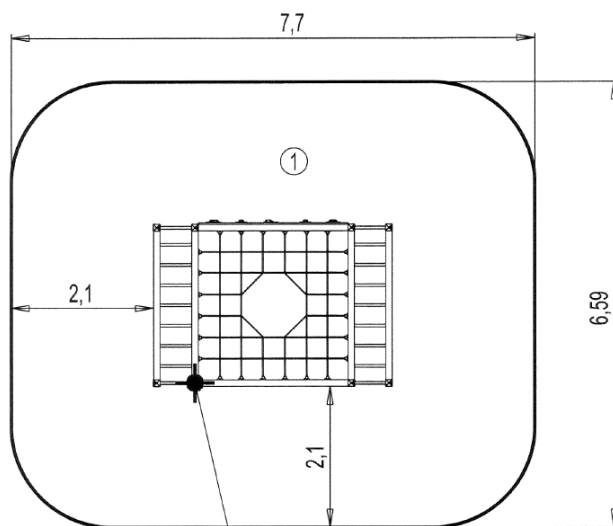


- ① Climbing net - G1605
- ② Suspension ladder - G1608
- ③ Step ladder - G1609
- ④ Climbing wall - G1606
- ⑤ Chimney net - G1607

## Installation of equipment

Impact area =

- Impact area
- Free space



Point de Référence  
Setting Out Point  
Punto de referencia  
Bezugspunkt

1	2,40m	49m <sup>2</sup>



2



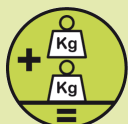
10h15



0.3m<sup>3</sup>



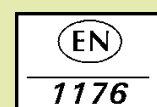
49m<sup>2</sup>



374kg



39kg



*Proludic*

2013-08-27