



5+



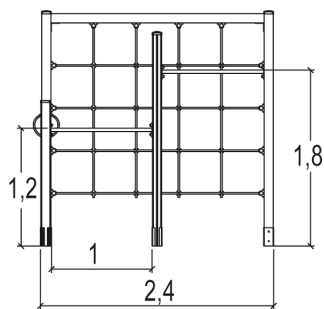
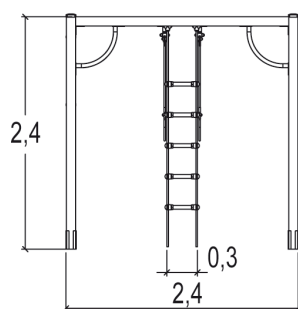
9



2,4m



1 = 2,4m 2 = 2,4m 3 = 2,4m



Play value

hanging



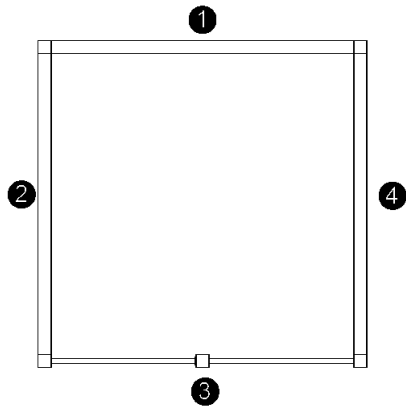
x2

climbing



x2

Number of play elements: 4

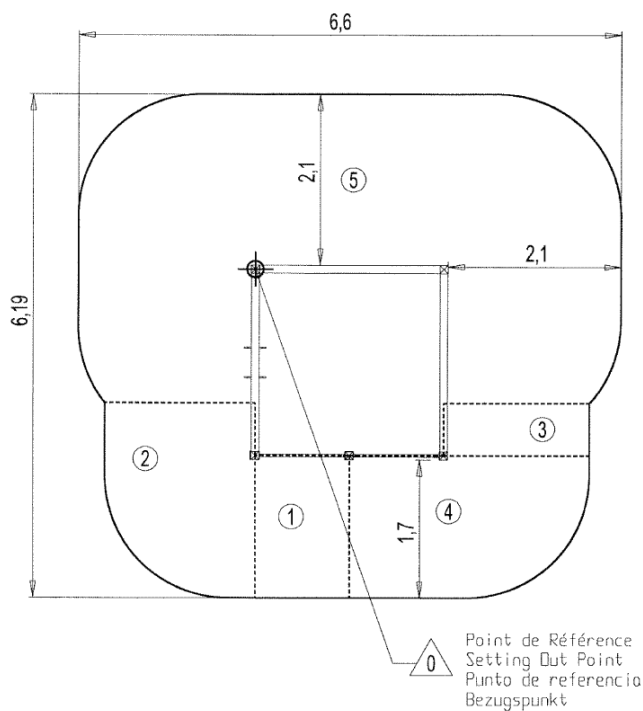


- ① Climbing net - G1605
- ② Rings - G1613
- ③ Horizontal bar HT: 1.2m et 1.8m - G1610
- ④ Rope- ladder - G1615

Installation of equipment

Impact area =

- Impact area
- Free space



1	1,2m	2m ²
2	1,53m	4m ²
3	1,7m	1,5m ²
4	1,8m	5m ²
5	2,4m	25,5m ²



2



05h00



0.2m³



38m²



165kg



17kg



Proludic

2007-01-01