



2+



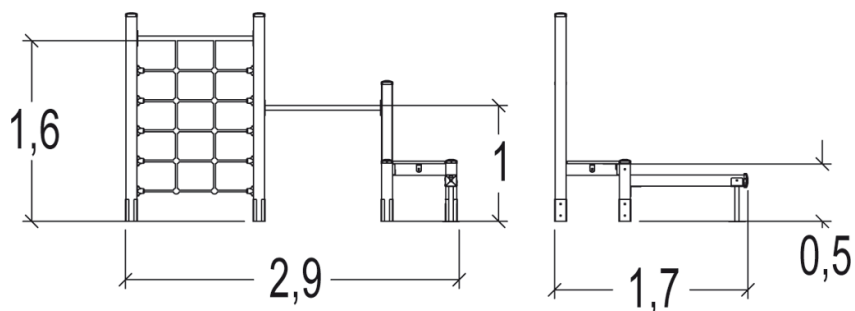
6



1,6m



1 = 2,91m 2 = 1,66m 3 = 1,8m



Play value

hanging



x1

climbing



x1

meeting / role play



x1

Number of play elements: 3

Accessibility



Motor disability

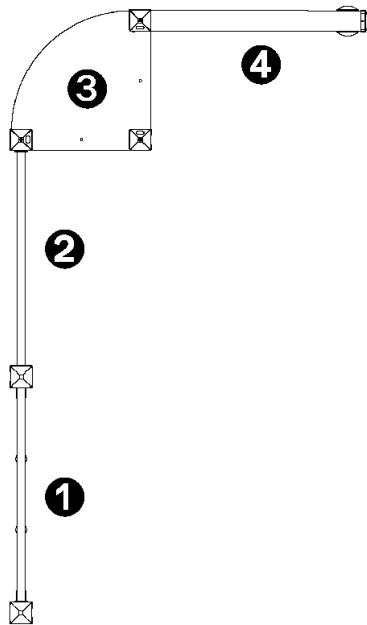


Sensorial Disabilities



Learning Disabilities



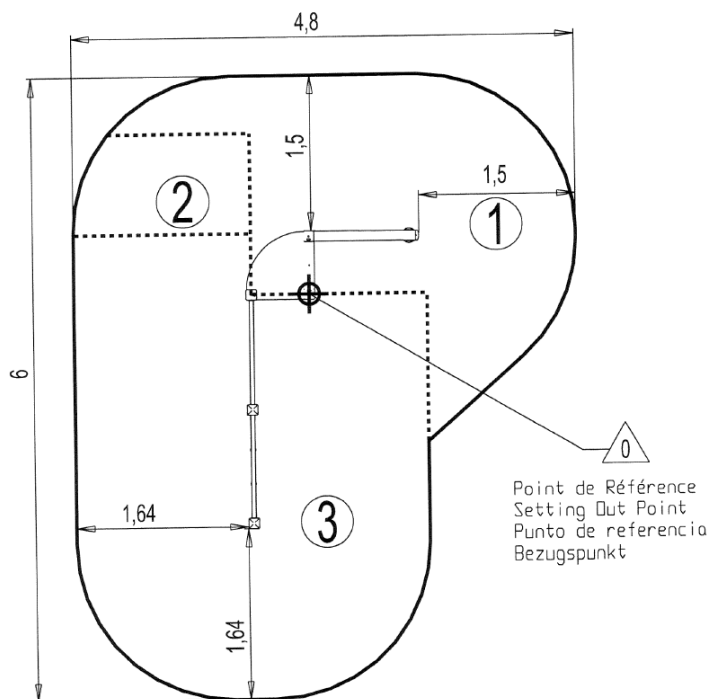


- ① Net - G2205
- ② Horizontal bar HT: 1m - G2206
- ③ Petit twist BASIC H : 0.52 m - G2228
- ④ Balance Beam - G2207

Installation of equipment

Impact area =

- Impact area
- Free space



Point de Référence
Setting Out Point
Punto de referencia
Bezugspunkt

1	<0,6m	8m ²
2	1m	2m ²
3	1,6m	13,5m ²



2



02h30



0.2m³



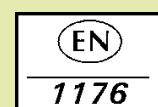
23.5m²



91kg



9kg



Proludic

2013-08-27