

# Rollimänguvahendid

**J1951**



3+



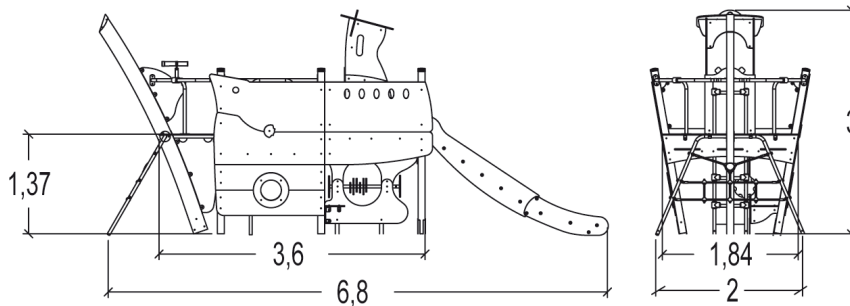
17



1,37m



1 = 6,8m 2 = 2,15m 3 = 3m



## Play value

sliding



x1

meeting / role play



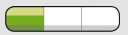
x2

Number of play elements: 3

## Accessibility



Motor disability



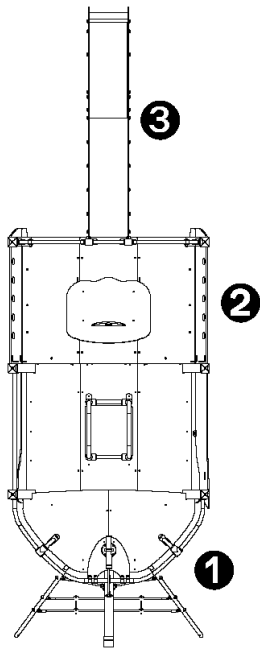
Sensorial Disabilities



Learning Disabilities



*Proludic*

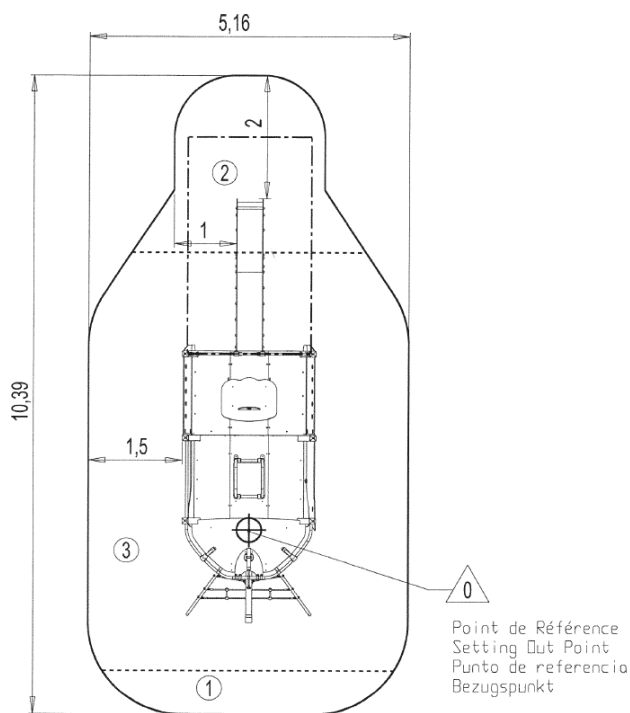


- ① THE STERN - G1950
- ② THE BOW - G1955
- ③ STAINLESS STEEL INOX - G1957

## Installation of equipment

Impact area =

- Impact area
- Free space



1	0,6m	3m <sup>2</sup>
2	1m	7,5m <sup>2</sup>
3	1,37m	34,5m <sup>2</sup>



2



32h00



0.5m<sup>3</sup>



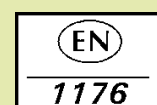
45m<sup>2</sup>



726kg



33kg



*Proludic*

2013-02-01