



3+



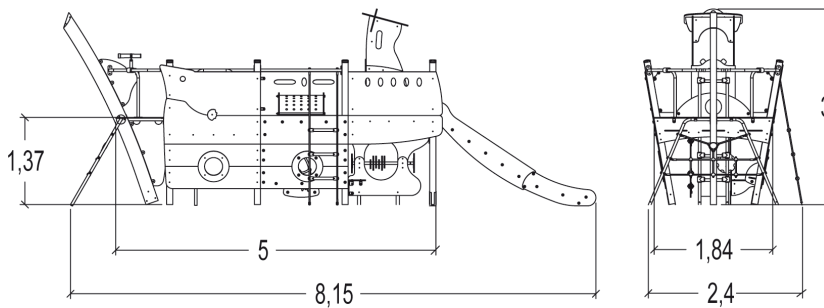
22



1,37m



1 = 8,15m 2 = 2,65m 3 = 3m



### Play value

sliding



x1

meeting / role play



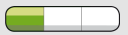
x3

Number of play elements: 4

### Accessibility



Motor disability

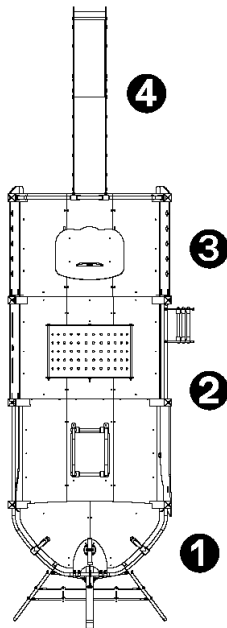


Sensorial Disabilities



Learning Disabilites



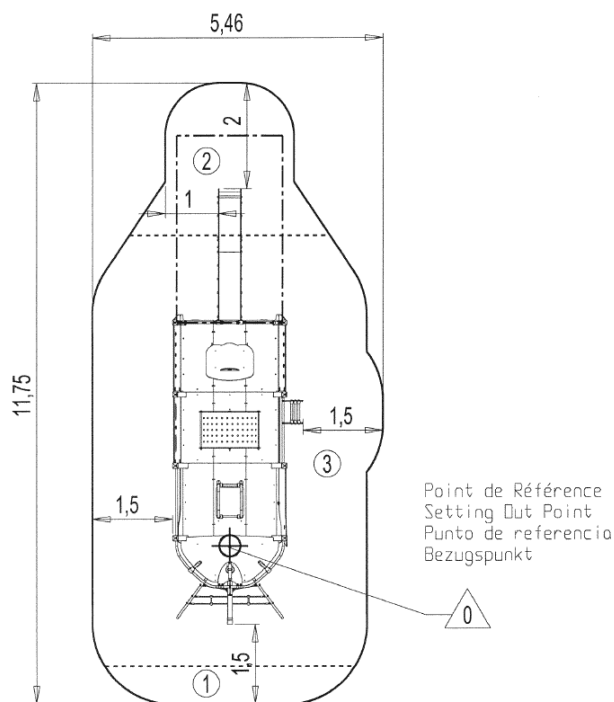


- ❶ THE STERN - G1950
- ❷ THE NARROW BOAT - G1951
- ❸ THE BOW - G1955
- ❹ STAINLESS STEEL INOX - G1957

## Installation of equipment

Impact area =

- Impact area
- Free space



1	0,6m	3m <sup>2</sup>
2	1m	7,5m <sup>2</sup>
3	1,37m	42m <sup>2</sup>



2



40h00



0.6m<sup>3</sup>



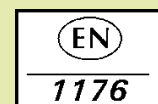
52.5m<sup>2</sup>



934kg



33kg



*Proludic*

2013-02-01