

# Rollimänguvahendid

# J1955



3+



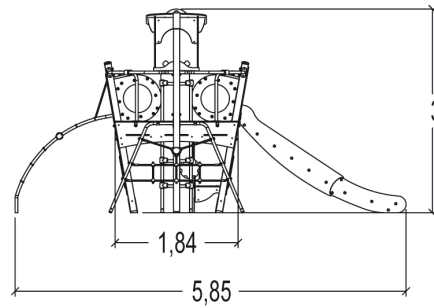
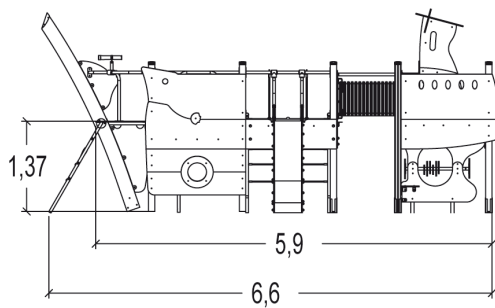
30



1,37m



1 = 6,6m 2 = 5,9m 3 = 3m



## Play value

crawling



x1

meeting / role play



x2

Number of play elements: 3

## Accessibility



Motor disability



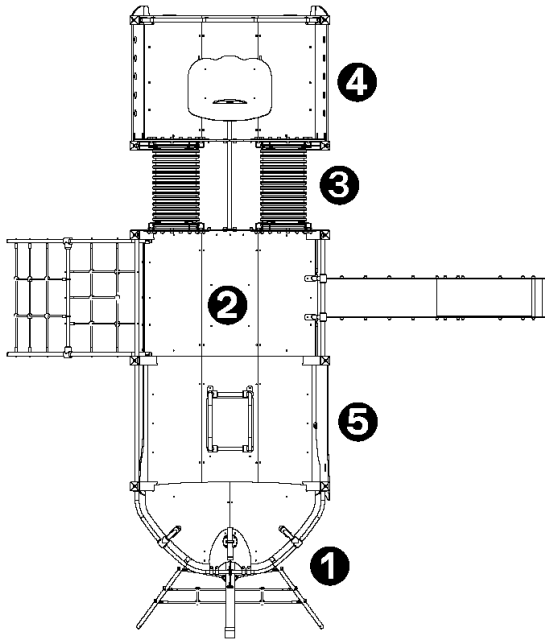
Sensorial Disabilities



Learning Disabilities



*Proludic*

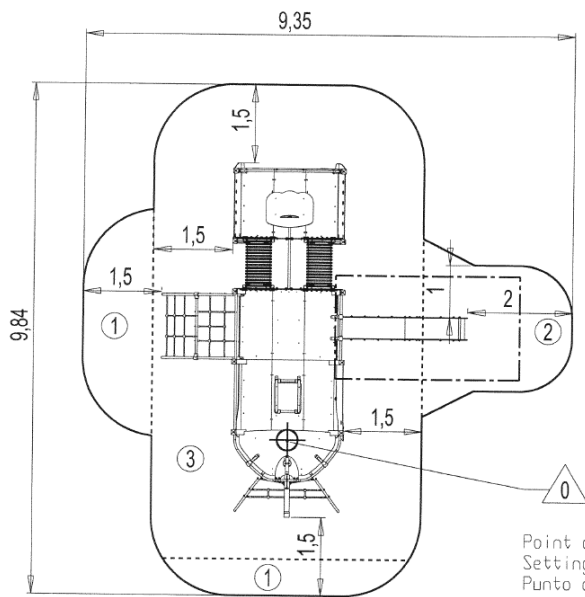


- 1 THE STERN - G1950
- 2 NET + SLIDE - G1954
- 3 TUNNELS - G1952
- 4 THE BOW - G1955
- 5 GUARD RAILS - G1958

## Installation of equipment

Impact area =

- Impact area
- Free space



1	0,6m	8m <sup>2</sup>
2	1m	7m <sup>2</sup>
3	1,37m	46m <sup>2</sup>



2



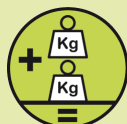
42h00



0.5m<sup>3</sup>



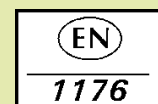
61m<sup>2</sup>



1032kg



33kg



*Proludic*

2013-02-01