

Karussellid

J2400



3+



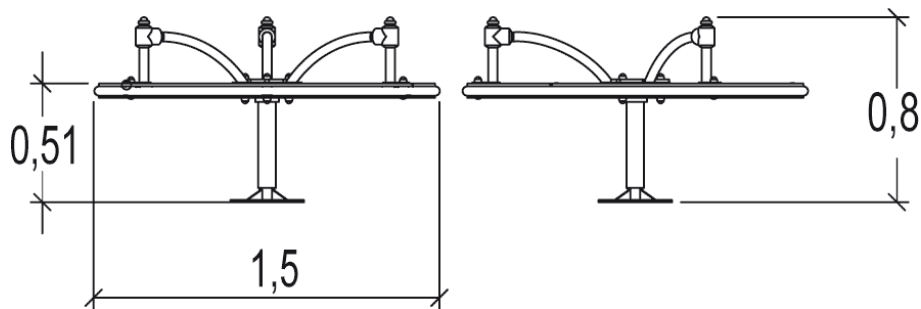
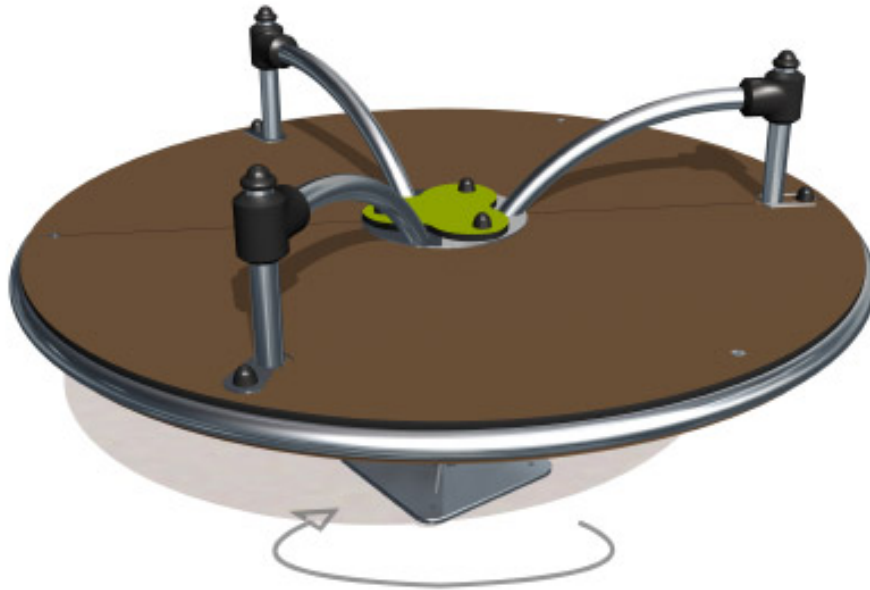
8



1m



1 = 1,5m 2 = 1,5m 3 = 0,78m



Play value

climbing



balancing



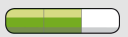
rotating



Accessibility



Motor disability



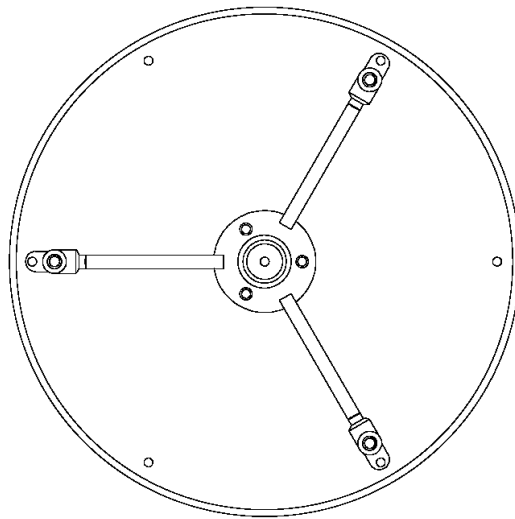
Sensorial Disabilities



Learning Disabilities



Proludic

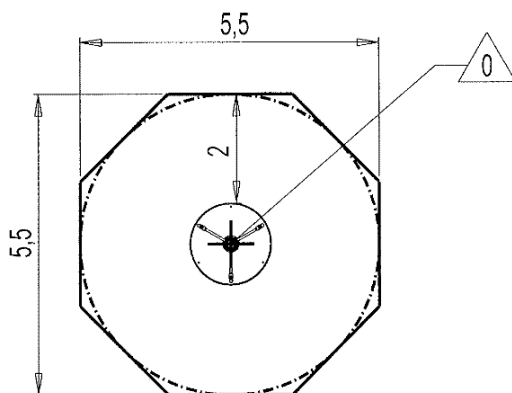




Installation of equipment

Impact area =

-  Impact area
-  Free space

Point de Référence
Setting Out Point
Punto de referencia
Bezugspunkt



		
1	1m	25m ²



2



01h45



0.15m³



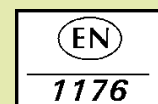
25m²



98kg



88kg



Proludic

2002-06-11