



6+



2

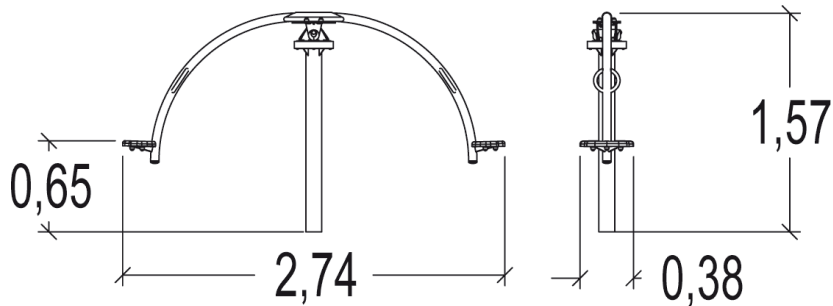


1,3m



1 = 2,73m 2 = 0,4m 3 = 1,57m

If installed onto wetpour safer surfacing, we recommend a NON-FINES CONCRETE BASE.



Play value

balancing



rotating



Accessibility



Motor disability

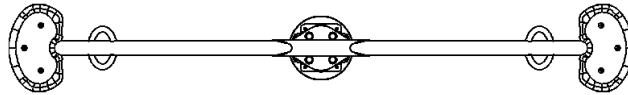


Sensorial Disabilities



Learning Disabilites

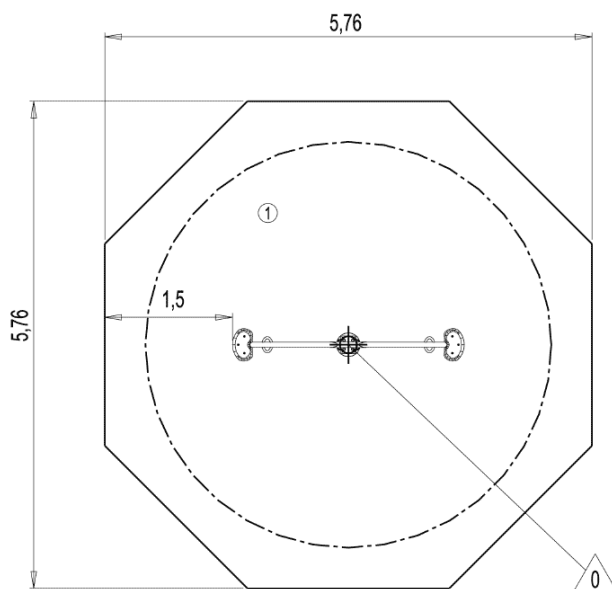






Installation of equipment

Impact area =

-  Impact area
-  Free space



Point de Référence
Setting Out Point
Punto de referencia
Bezugspunkt
Referentiepunt

		
1	1,30m	27,5m ²



2



03h00



0.3m³



27.5m²



99kg



51kg



Proludic

2013-03-14