



2+



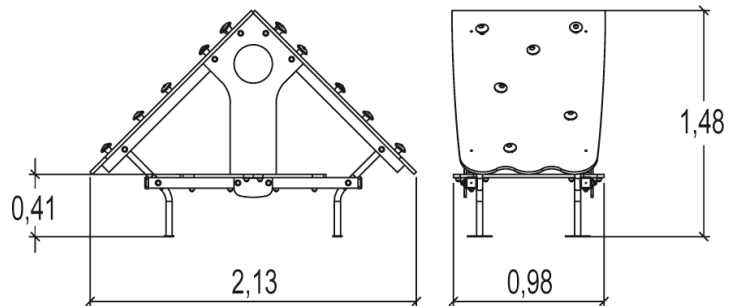
14



1,5m



1 = 2,12m 2 = 1,1m 3 = 1,48m



Play value

climbing

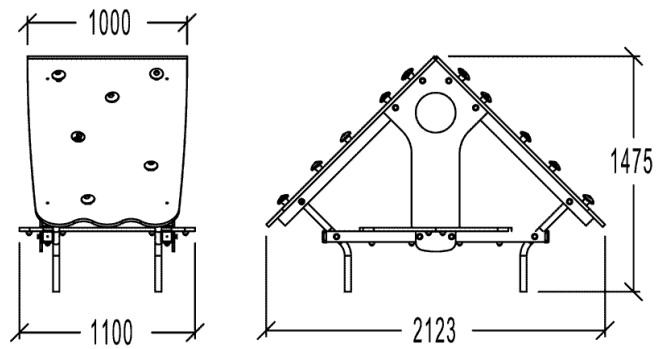


meeting / role play



hiding / resting

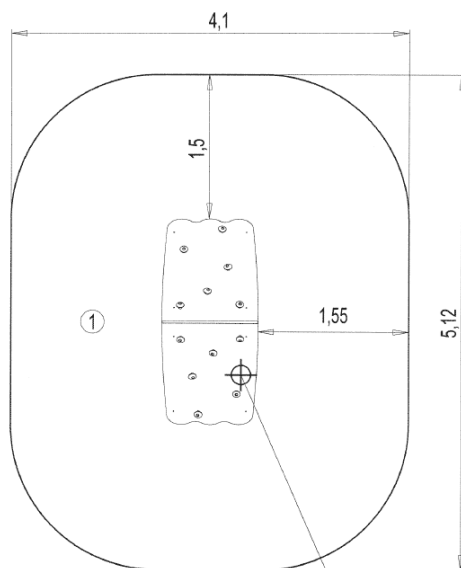







Installation of equipment

Impact area =

 Impact area
 Free space



 Point de Référence
 Setting Out Point
 Punto de referencia
 Bezugspunkt

		
1	1,50m	19m ²



2



01h50



0.1m³



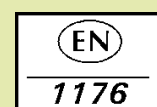
19m²



87kg



20kg



Proludic

2006-04-01