

Themed play equipment

J2603



2-6



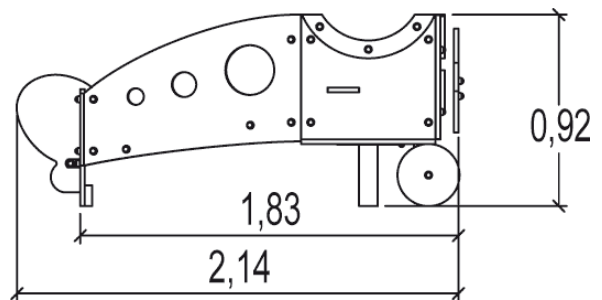
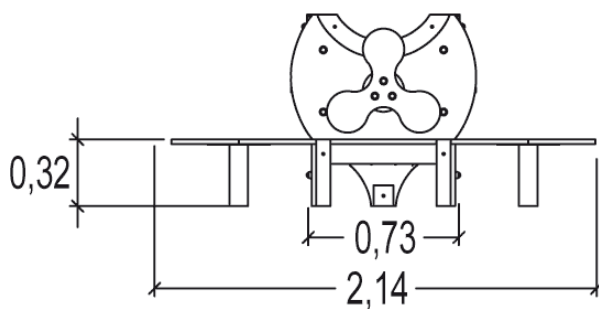
4



0,6m



1 = 2,18m 2 = 2,05m 3 = 0,93m



Play value

hiding /
resting



meeting / role
play



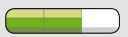
climbing



Accessibility



Motor disability



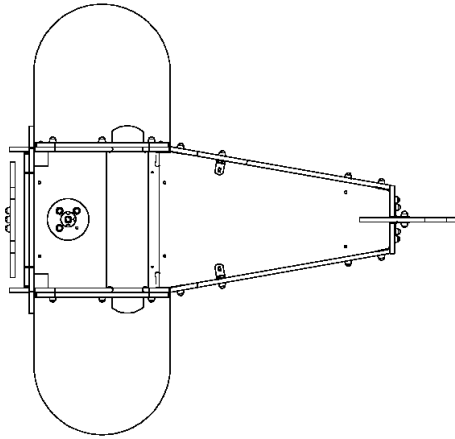
Sensorial Disabilities



Learning Disabilites



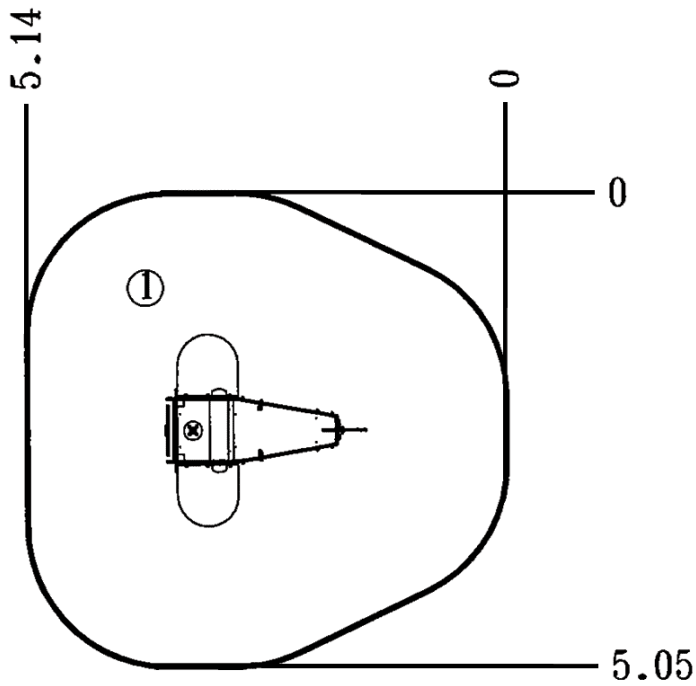
Proludic











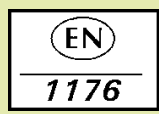

Installation of equipment

Impact area =

-  Impact area
-  Free space



		
1	0,6m	22m ²

							
2	03h45	0.14m ³	22m ²	104kg	20kg		2012-11-13