

# Themed play equipment

**J2611**



2-6



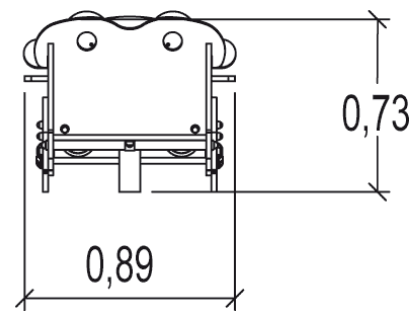
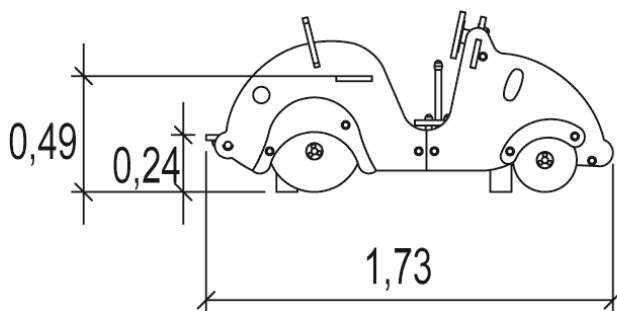
2



0,5m



1 = 1,75m 2 = 0,91m 3 = 0,75m

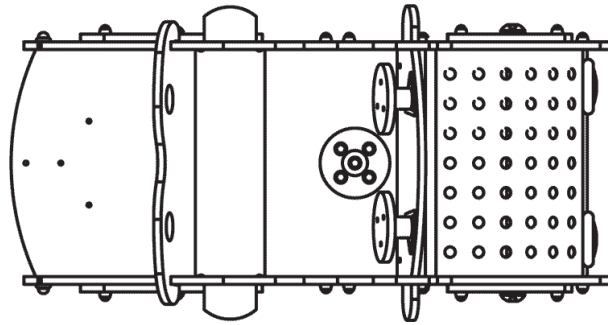


**Play value**

role play	meeting / role play

**Accessibility**

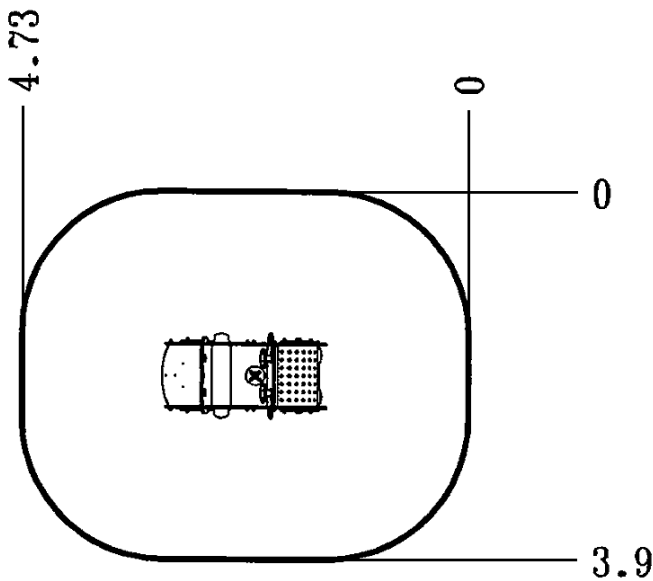
	Motor disability	<input checked="" type="checkbox"/>
	Sensorial Disabilities	<input type="checkbox"/>
	Learning Disabilites	<input checked="" type="checkbox"/>





## Installation of equipment

Impact area =

-  Impact area
-  Free space



		
1	0,5m	16,5m <sup>2</sup>