



2-6



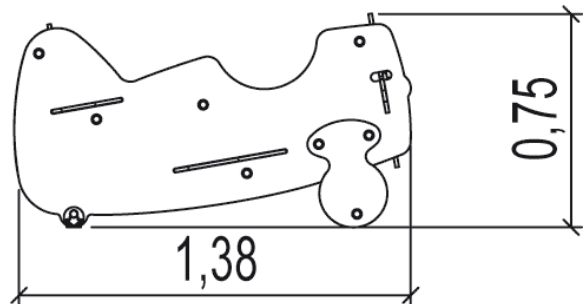
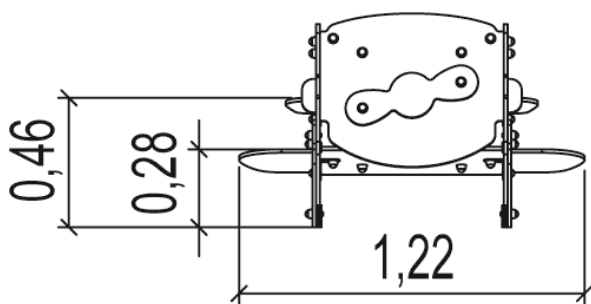
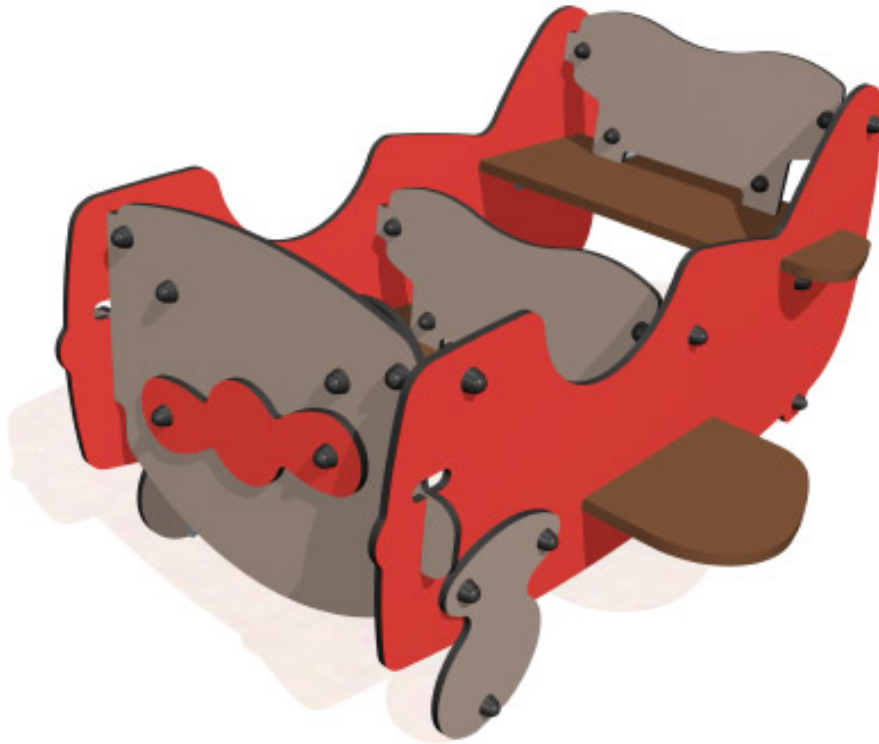
6



0,46m



1 = 1,4m 2 = 1,23m 3 = 0,72m



Play value

hiding / resting



meeting / role play



climbing



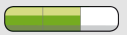
handling



Accessibility



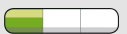
Motor disability

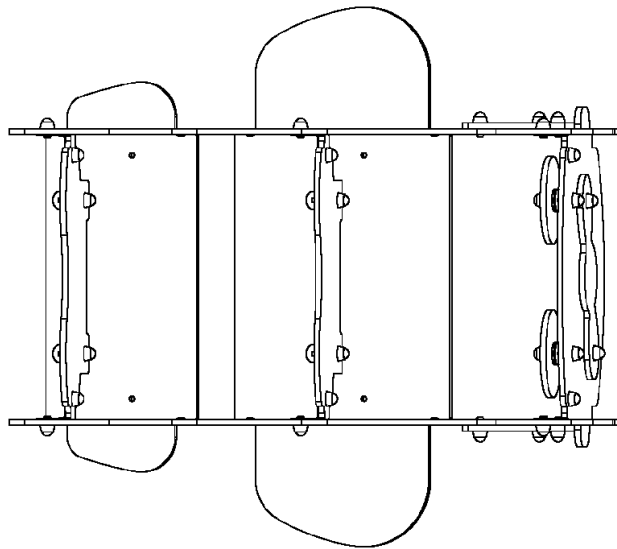


Sensorial Disabilities



Learning Disabilities

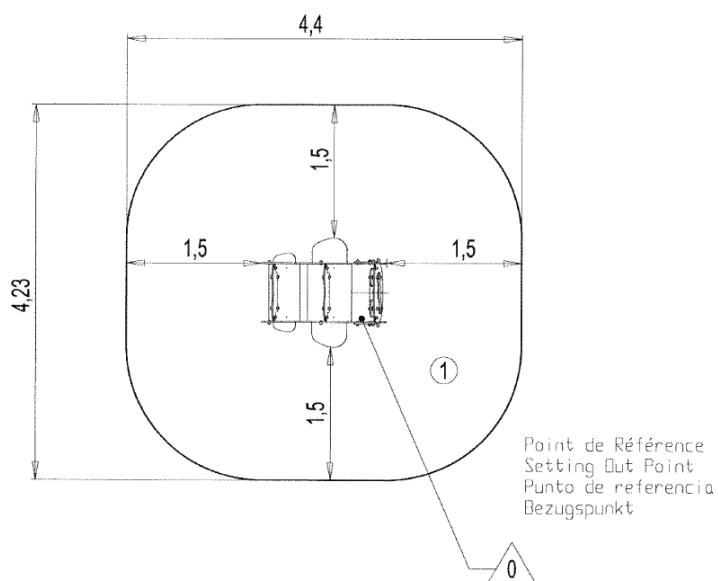






Installation of equipment

Impact area =

-  Impact area
-  Free space



| | | |
|---|---|------------------|
|  |  | |
| 1 | 0,46m | 16m ² |



2



00h00



0m³



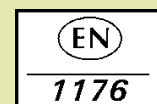
16m²



60kg



11kg



Proludic

0000-00-00