



2-6



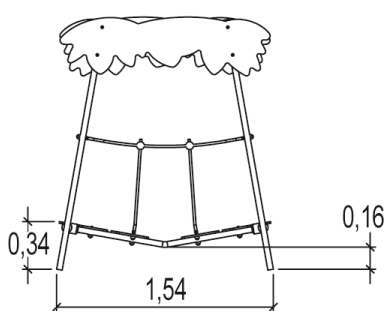
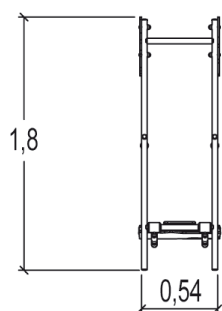
4



0,9m



1 = 1,5m 2 = 0,6m 3 = 1,8m



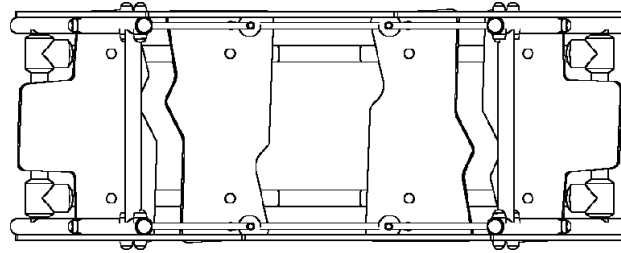
Play value

meeting / role
play



climbing

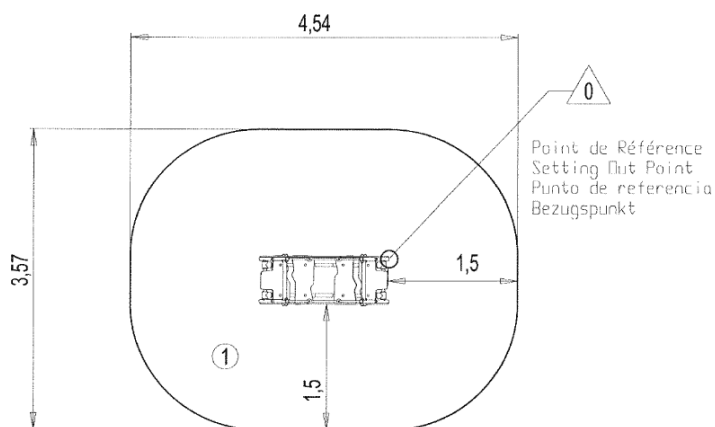






Installation of equipment

Impact area =

 Impact area
 Free space



		
1	0,9m	14,5m ²



2



01h30



0.11m³



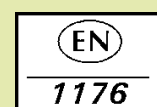
14.5m²



31kg



8kg



Proludic

0000-00-00