



2-6



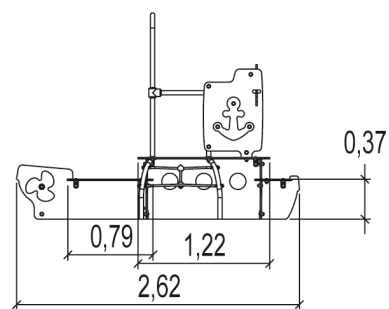
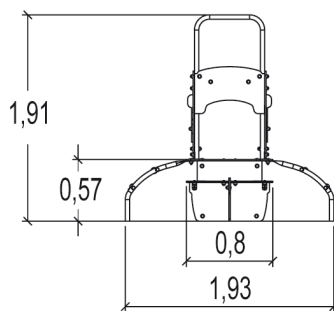
7



0,58m



1 = 2,6m 2 = 1,9m 3 = 1,9m



## Play value

hiding / resting



meeting / role play

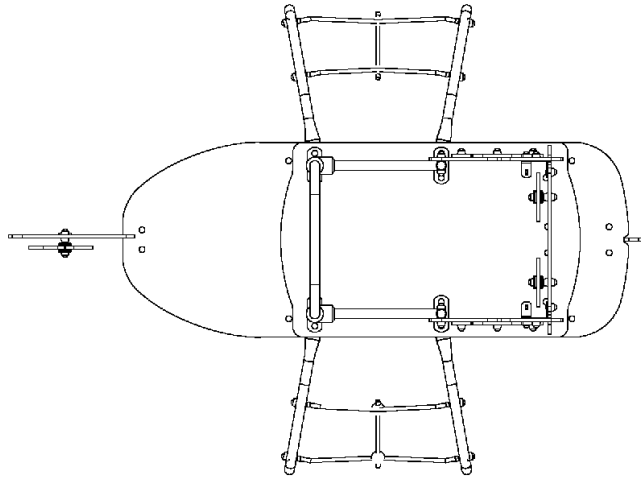


climbing



handling

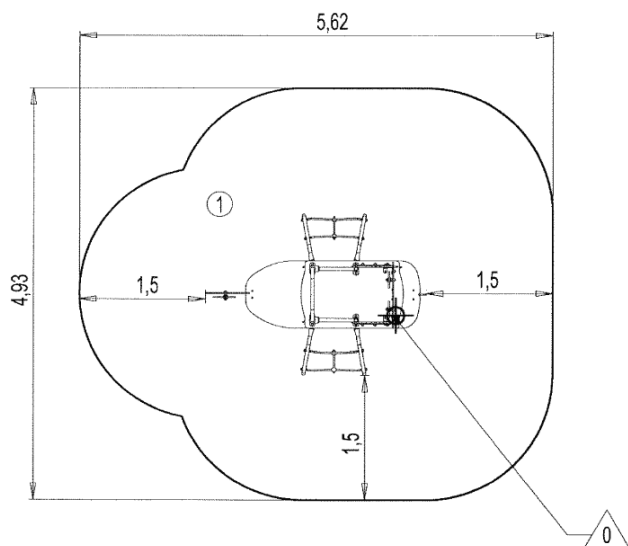






## Installation of equipment

Impact area =

-  Impact area
-  Free space



Point de Référence  
Setting Out Point  
Punto de referencia  
Bezugspunkt

		
1	0,58m	23m <sup>2</sup>



2



00h00



0m<sup>3</sup>



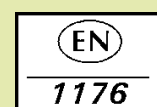
22.7m<sup>2</sup>



94kg



14kg



*Proludic*

0000-00-00