



2-6



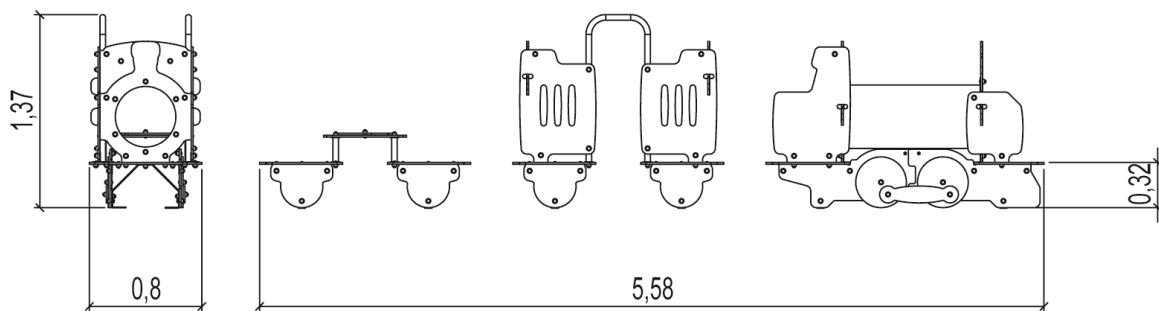
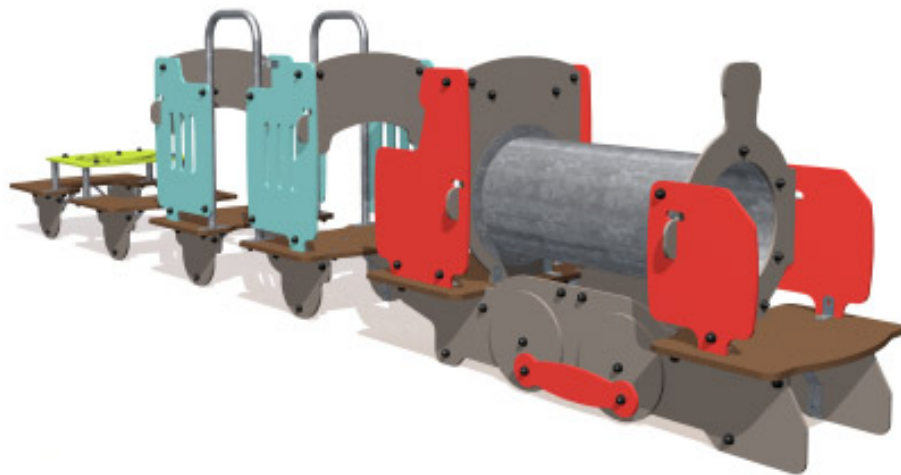
18



0,86m



1 = 5,5m 2 = 0,8m 3 = 1,4m

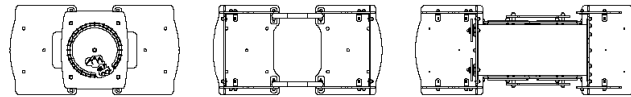


**Play value**

<p>handling</p>	<p>hiding / resting</p>	<p>meeting / role play</p>
-----------------	-------------------------	----------------------------

**Accessibility**

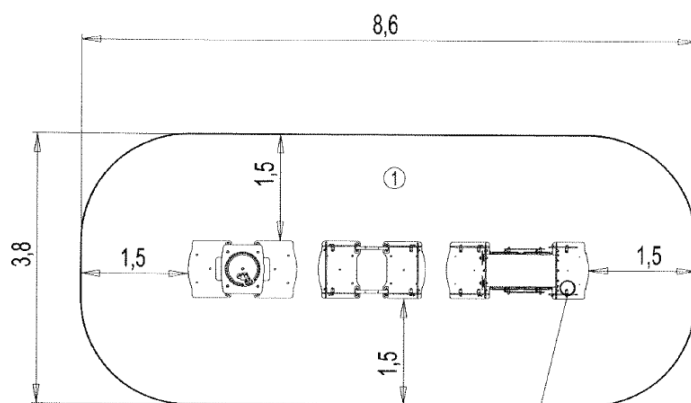
	Motor disability	<input type="checkbox"/>
	Sensorial Disabilities	<input type="checkbox"/>
	Learning Disabilities	<input type="checkbox"/>





## Installation of equipment

Impact area =

-  Impact area
-  Free space



Point de Référence  
Setting Out Point  
Punto de referencia  
Bezugspunkt

		
1	0,86m	30,6m <sup>2</sup>



2



00h00



0m<sup>3</sup>



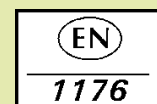
30.6m<sup>2</sup>



139kg



7kg



*Proludic*

2012-11-09