

Rollimänguvahendid

J2618



2-6



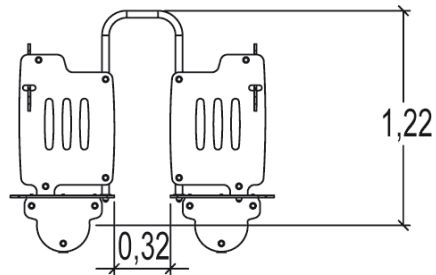
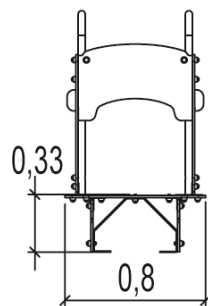
6



0,33m



1 = 1,4m 2 = 0,8m 3 = 1,4m



Play value

hiding /
resting



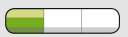
meeting / role
play



Accessibility



Motor disability



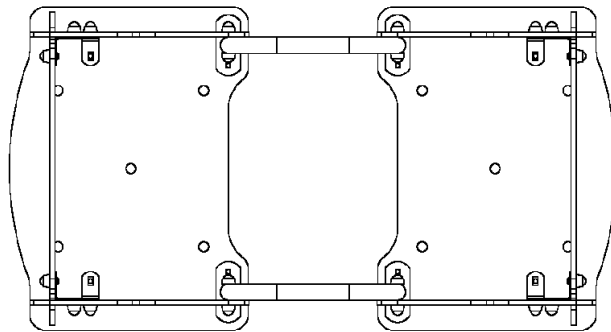
Sensorial Disabilities



Learning Disabilities



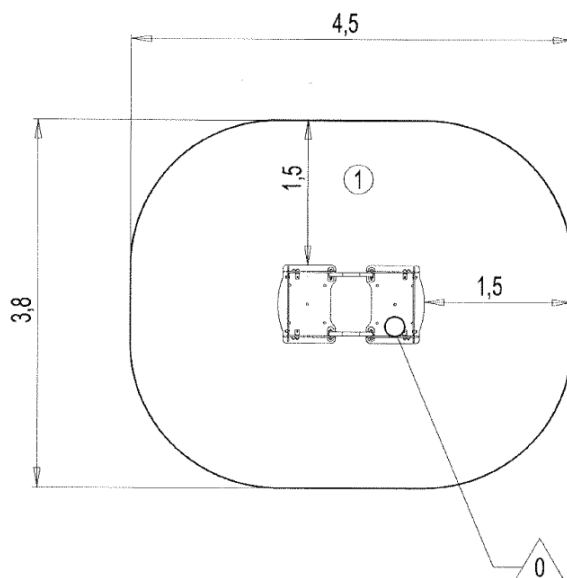
Proludic





Installation of equipment

Impact area =

 Impact area
 Free space



Point de Référence
 Setting Out Point
 Punto de referencia
 Bezugspunkt

		
1	0,33m	15m ²



2



00h00



0m³



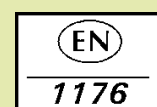
15.2m²



45kg



5kg



Proludic

0000-00-00