



1-8



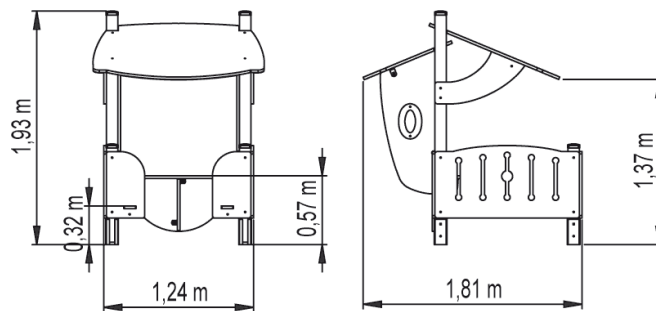
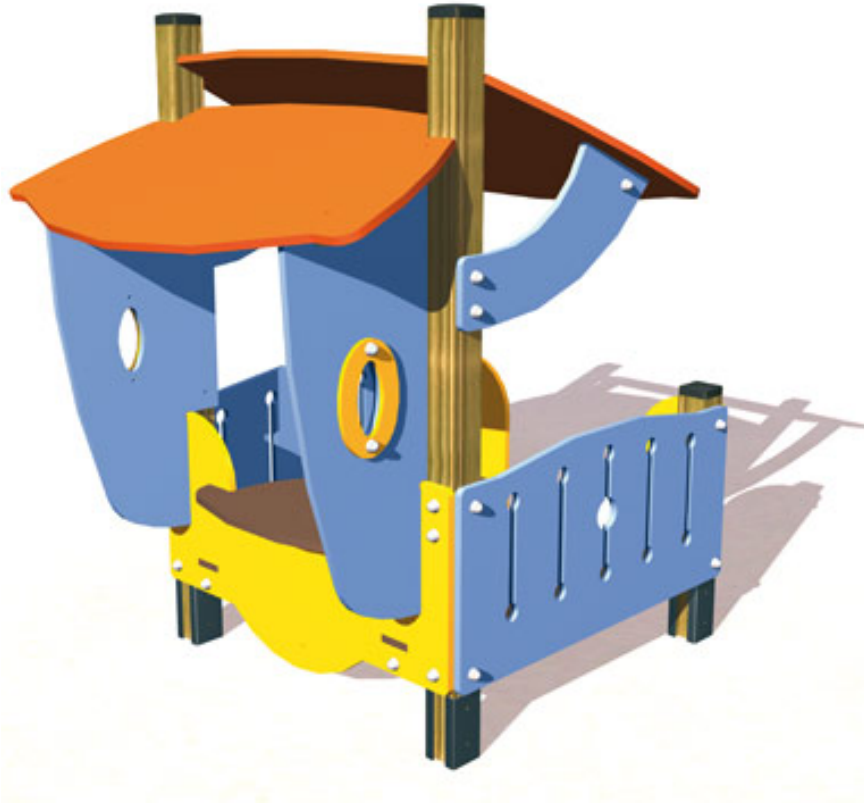
8



0,55m



1 = 1,81m 2 = 1,41m 3 = 1,92m



Play value

meeting / role play



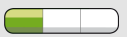
hiding / resting



Accessibility



Motor disability

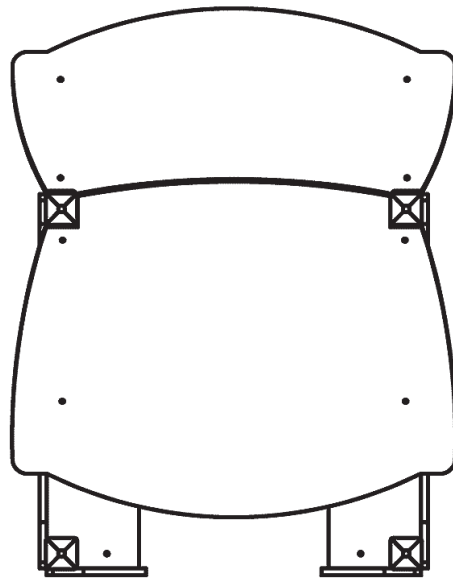


Sensorial Disabilities



Learning Disabilities

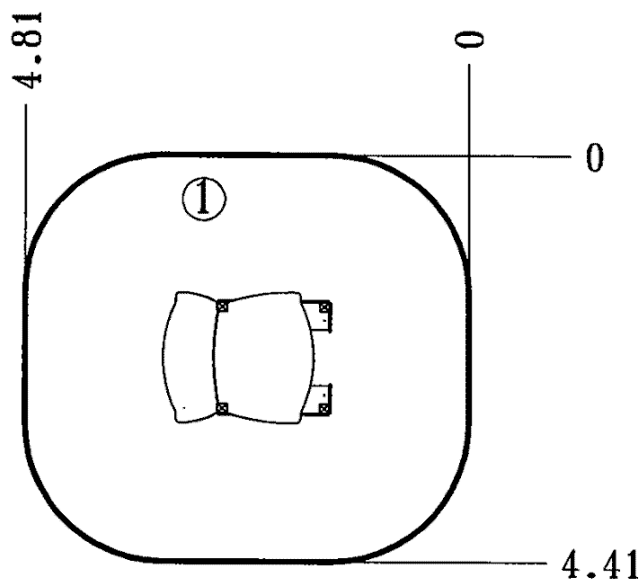






Installation of equipment

Impact area =

-  Impact area
-  Free space



		
1	0,55m	19,5m ²



2



03h45



0.11m³



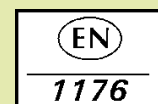
19.5m²



161kg



20kg



Proludic

2007-01-01