

# Rollimänguvahendid

J2740



4+



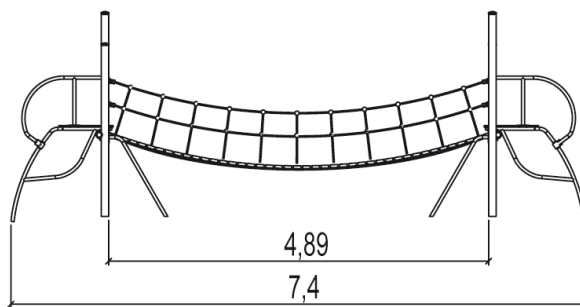
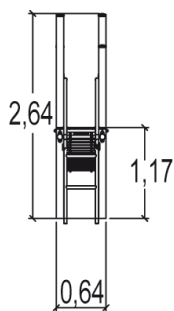
10



1,2m



1 = 7,51m 2 = 0,65m 3 = 2,62m



## Play value

balancing



x1

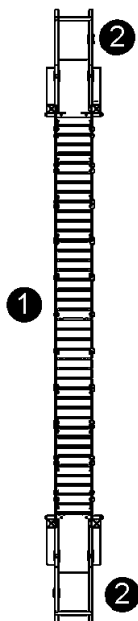
meeting / role play



x1

Number of play elements: 2

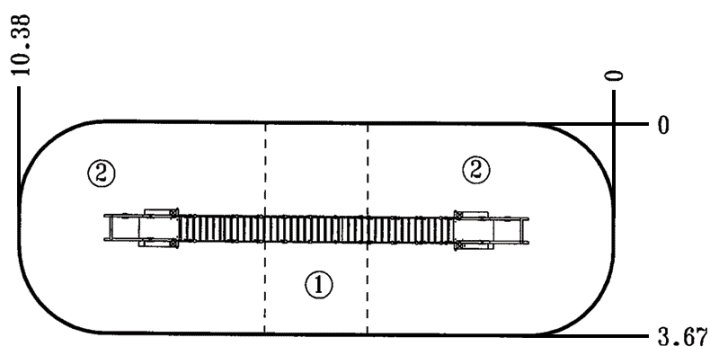
*Proludic*



- ① Flexible bridge L: 5m - G2750
- ② Starting part - G2751

## Installation of equipment

Impact area =  
 Impact area  
 Free space



1	1,00m	7m <sup>2</sup>
2	1,20m	30m <sup>2</sup>

2	06h30	0.5m <sup>3</sup>	37m <sup>2</sup>	277kg	107kg		2007-01-01