



1-8



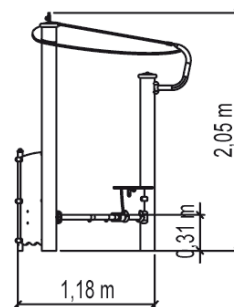
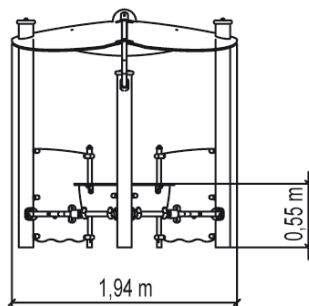
7



0,55m



1 = 1,95m 2 = 1,55m 3 = 2m



Play value

meeting / role play



hiding / resting



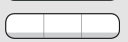
Accessibility



Motor disability

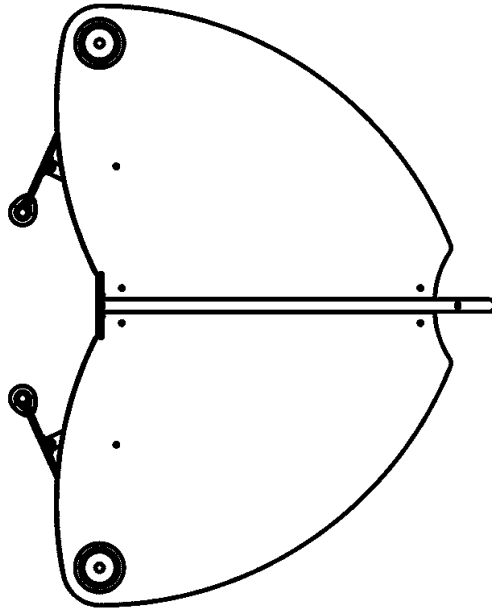


Sensorial Disabilities



Learning Disabilities

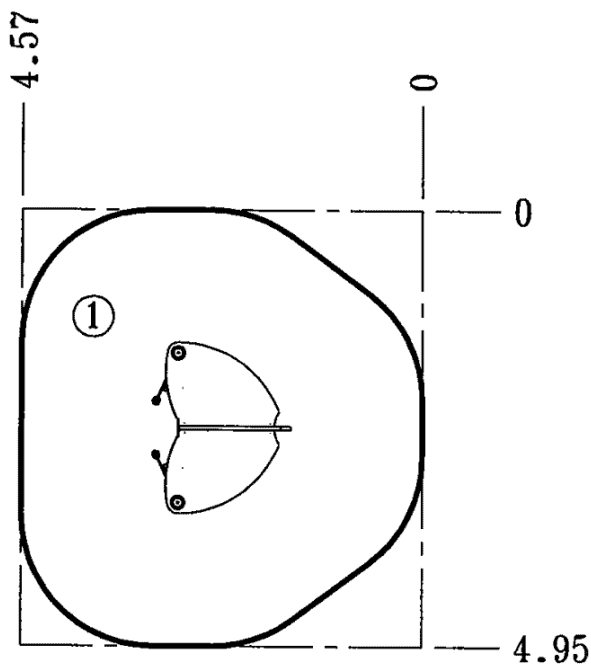






Installation of equipment

Impact area =

 Impact area
 Free space



		
1	0,55m	19m ²



2



03h00



0.2m³



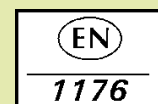
19m²



145kg



18kg



Proludic

2007-01-01