



4+



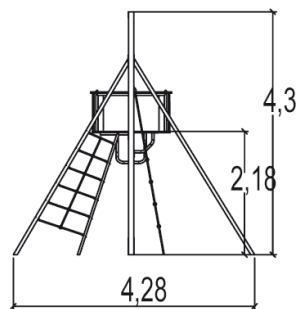
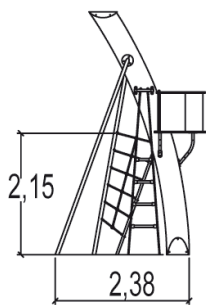
10



2,2m



1 = 4,32m 2 = 2,74m 3 = 4,35m



Play value

climbing



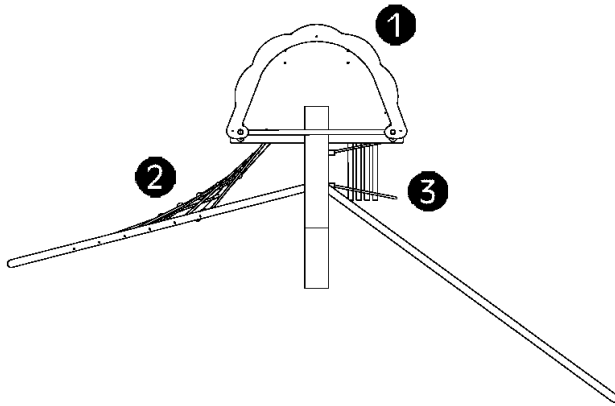
x2

meeting / role play



x1

Number of play elements: 3

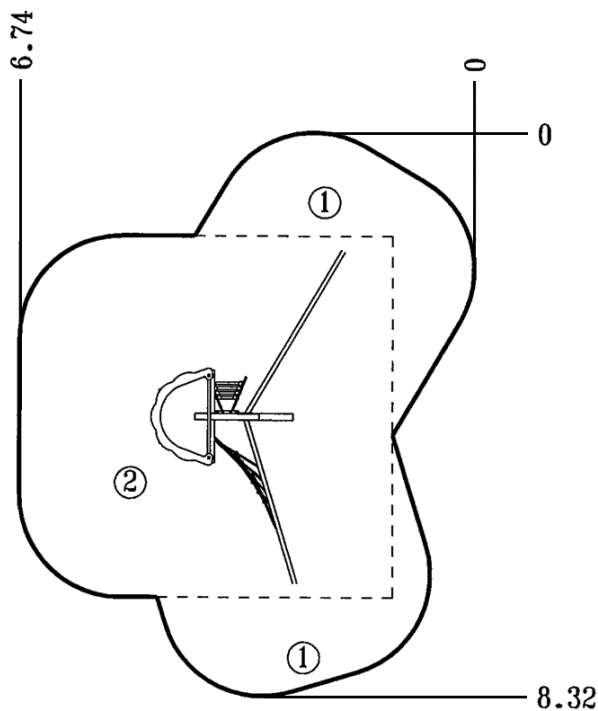


- ① Platforms HT: 2.2m
- ② Climbing net
- ③ Flexible ladder

Installation of equipment

Impact area =

- Impact area
- Free space



1	0,60m	7,5m ²
2	2,20m	27,5m ²



2



07h45



1.6m³



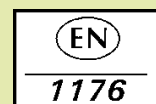
35m²



221kg



97kg



Proludic

2012-12-17