



4+



15



1,37m



1 = 4,8m 2 = 3,9m 3 = 2,4m



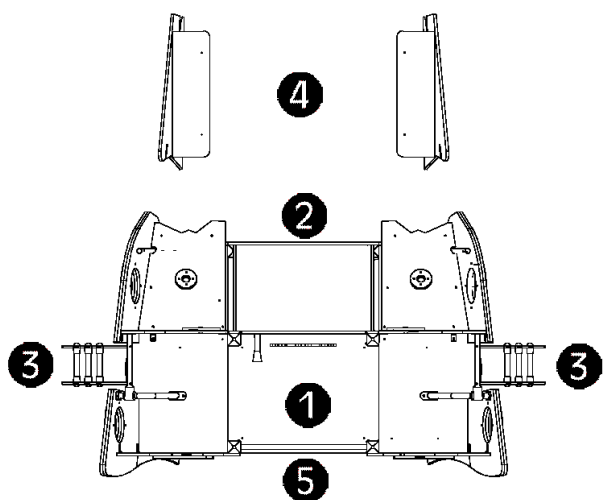
Play value

climbing



x2

Number of play elements: 2

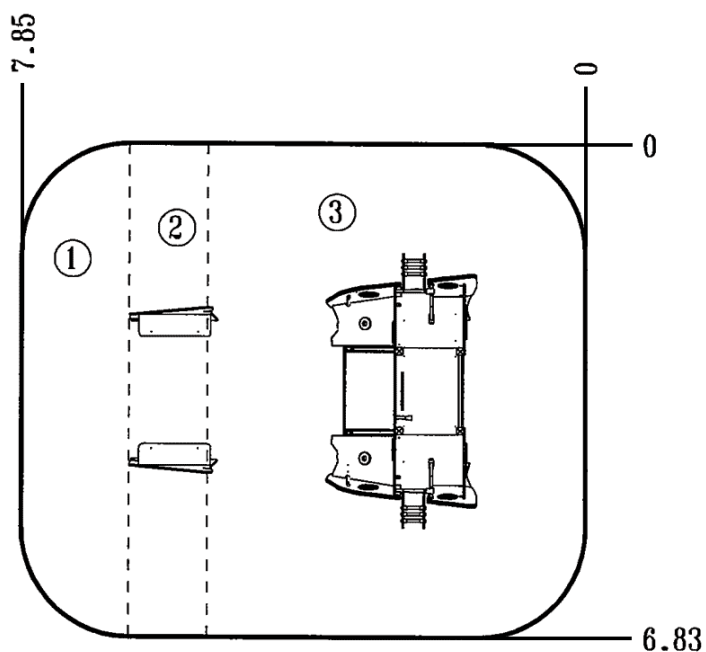


- ① Bridge with bar and tube phone HT: 1.37m
- ② Block
- ③ Ladder
- ④ Bench
- ⑤ Climbing net

Installation of equipment

Impact area =

- Impact area
- Free space



1	0,60m	13,5m ²
2	1,37m	33m ²



2



18h50



0.5m³



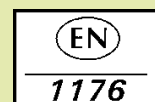
52m²



506kg



19kg



Proludic

2012-12-17