



1-8



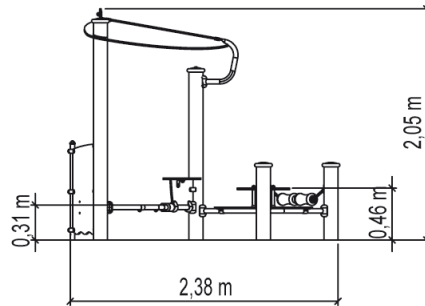
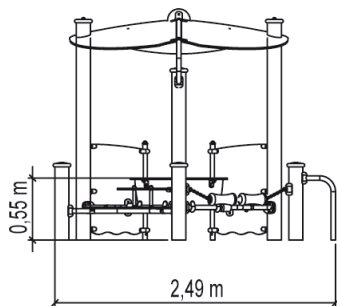
7



0,55m



1 = 2,6m 2 = 2,7m 3 = 2m



Play value

meeting / role play



hiding / resting



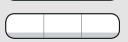
Accessibility



Motor disability

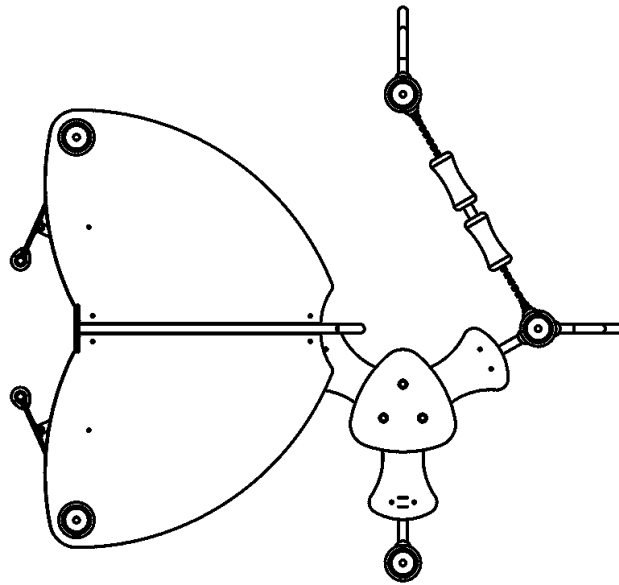


Sensorial Disabilities



Learning Disabilities

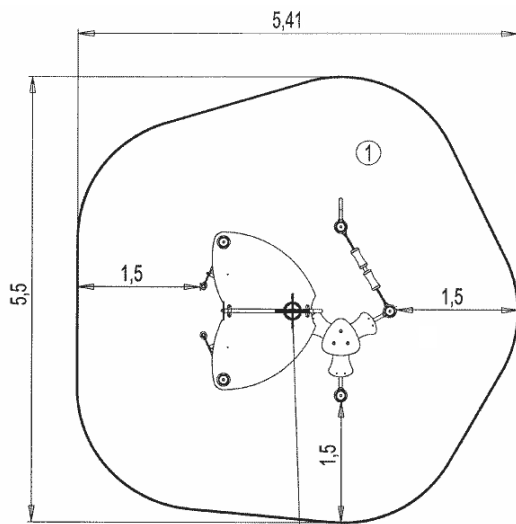






Installation of equipment

Impact area =

-  Impact area
-  Free space



Point de Référence
Setting Out Point
Punto de referencia
Bezugspunkt

		
1	0,55m	24m ²



2



03h00



0.3m³



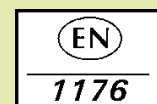
24m²



227kg



19kg



Proludic

2007-01-01