



1-8



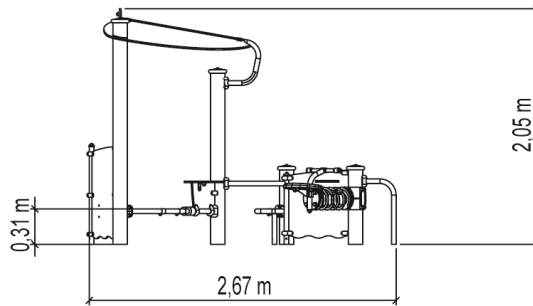
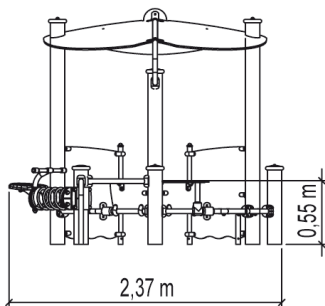
7



0,55m



1 = 2,4m 2 = 2,7m 3 = 2m



## Play value

meeting / role play



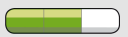
hiding / resting



## Accessibility



Motor disability

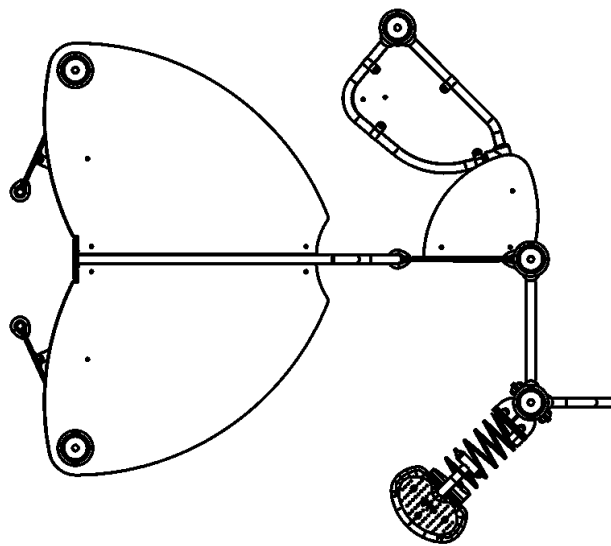


Sensorial Disabilities



Learning Disabilities

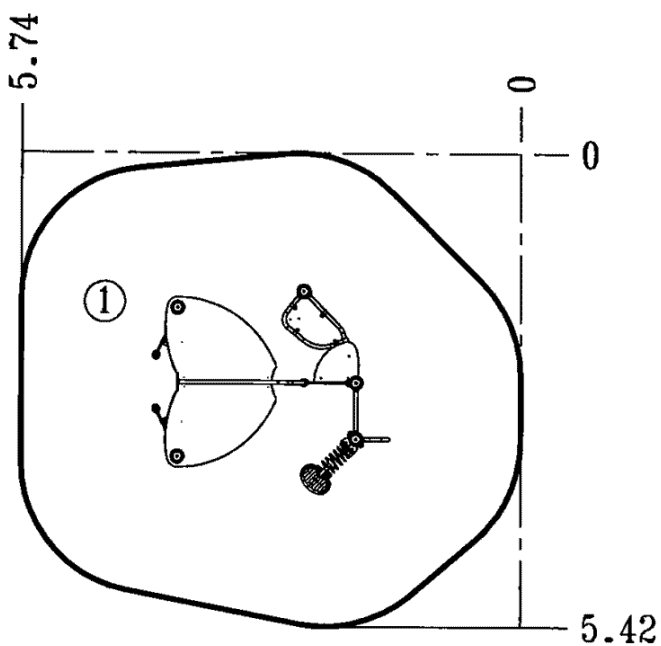












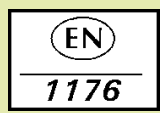

## Installation of equipment

Impact area =

-  Impact area
-  Free space



		
1	0,55m	26m <sup>2</sup>

							
2	03h00	0.5m <sup>3</sup>	26m <sup>2</sup>	227kg	21kg		2007-01-01