



1-8



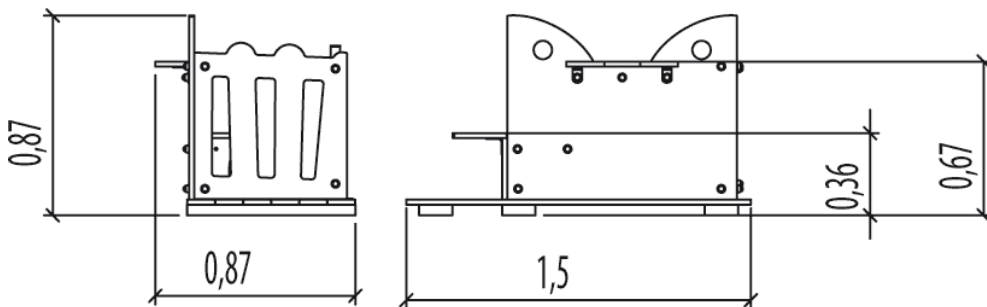
6



0,3m



1 = 1,5m 2 = 0,75m 3 = 0,87m



Play value

meeting / role play



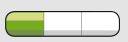
hiding / resting



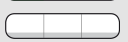
Accessibility



Motor disability

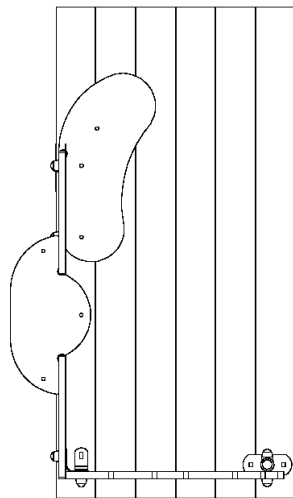


Sensorial Disabilities



Learning Disabilities

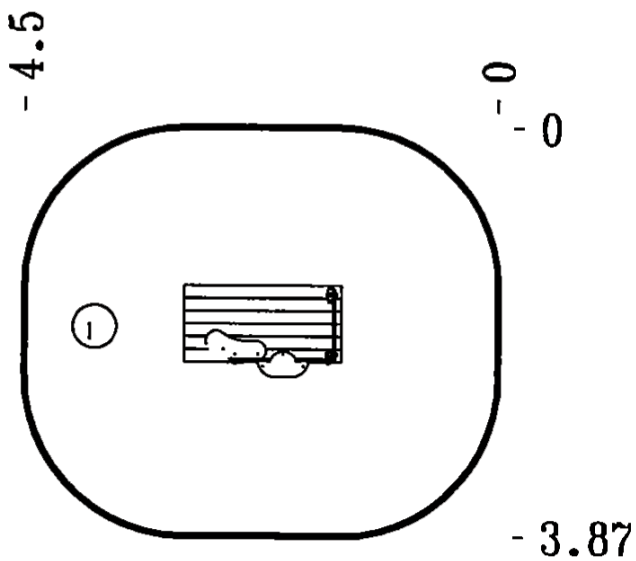






Installation of equipment

Impact area =

 Impact area
 Free space



		
1	0,30m	15,5m ²



1



00h45



0.1m³



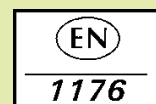
15.5m²



52kg



27kg



Proludic

2007-01-01