



1-8



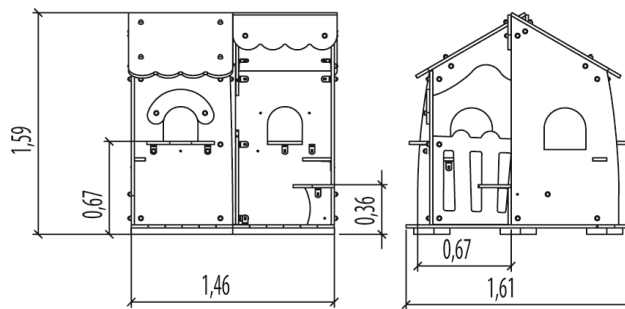
12



0,3m



1 = 1,6m 2 = 1,5m 3 = 1,6m



Play value

meeting / role play



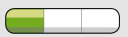
hiding / resting



Accessibility



Motor disability

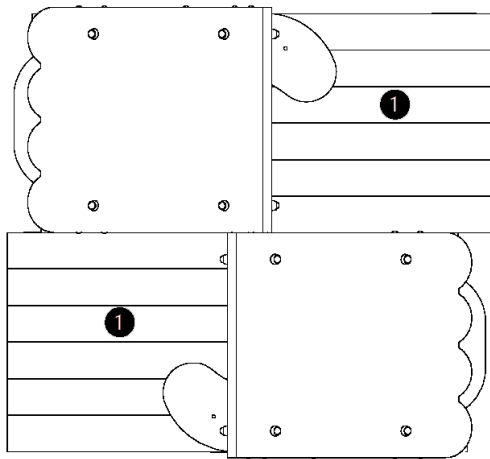


Sensorial Disabilities



Learning Disabilities





1 Chalet

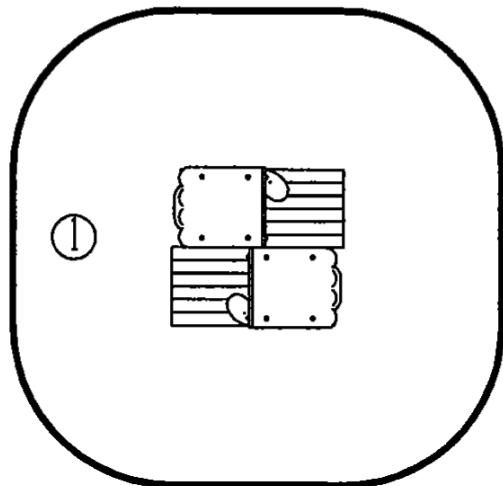
Installation of equipment

Impact area =

— Impact area
 - - - Free space

- 4.61

- 0



- 4.46

| | | |
|---|-------|------------------|
| | | |
| 1 | 0,30m | 19m ² |



2



02h45



0.3m³



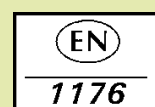
19m²



160kg



27kg



Proludic

2007-01-01