



1-8



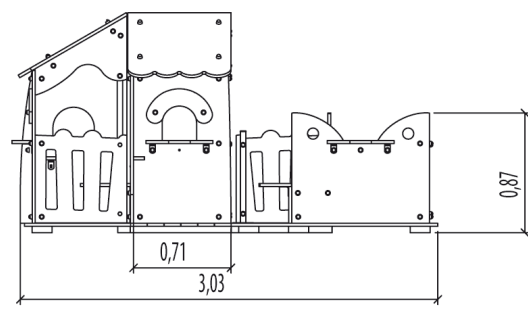
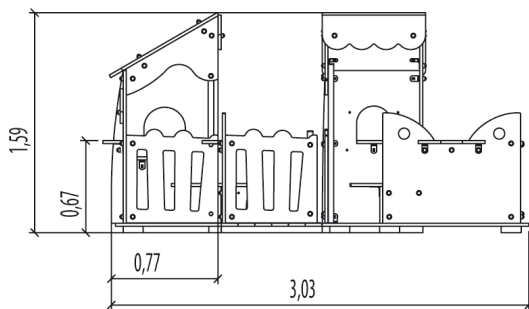
24



0,3m



1 = 3m 2 = 3m 3 = 1,6m



Play value

hiding /
resting



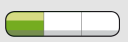
meeting / role
play



Accessibility



Motor disability

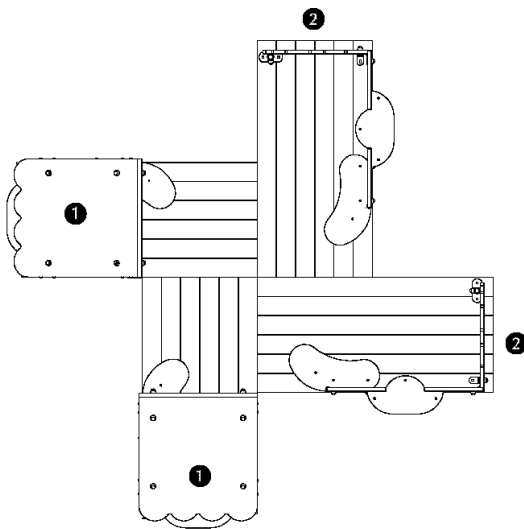


Sensorial Disabilities



Learning Disabilites



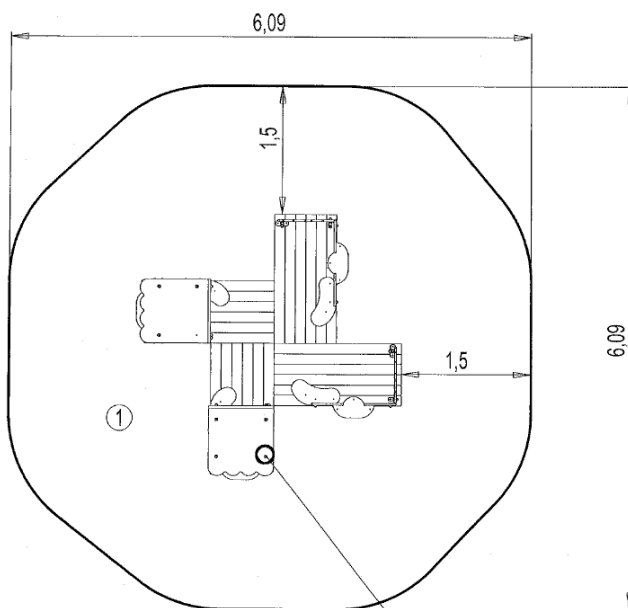


- 1 Chalet
- 2 Terrace

Installation of equipment

Impact area =

- Impact area
- Free space



Point de Référence
Setting Out Point
Punto de referencia
Bezugspunkt

1	0,30m	31,5m ²



2



05h00



0.4m³



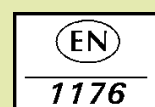
31.5m²



274kg



27kg



Proludic

2007-01-01