



0.5-5



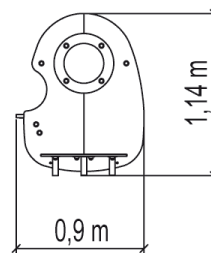
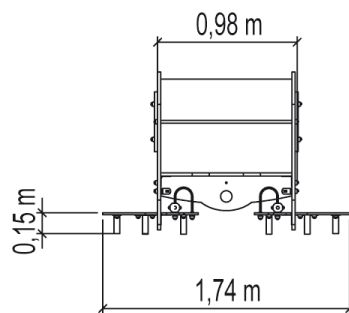
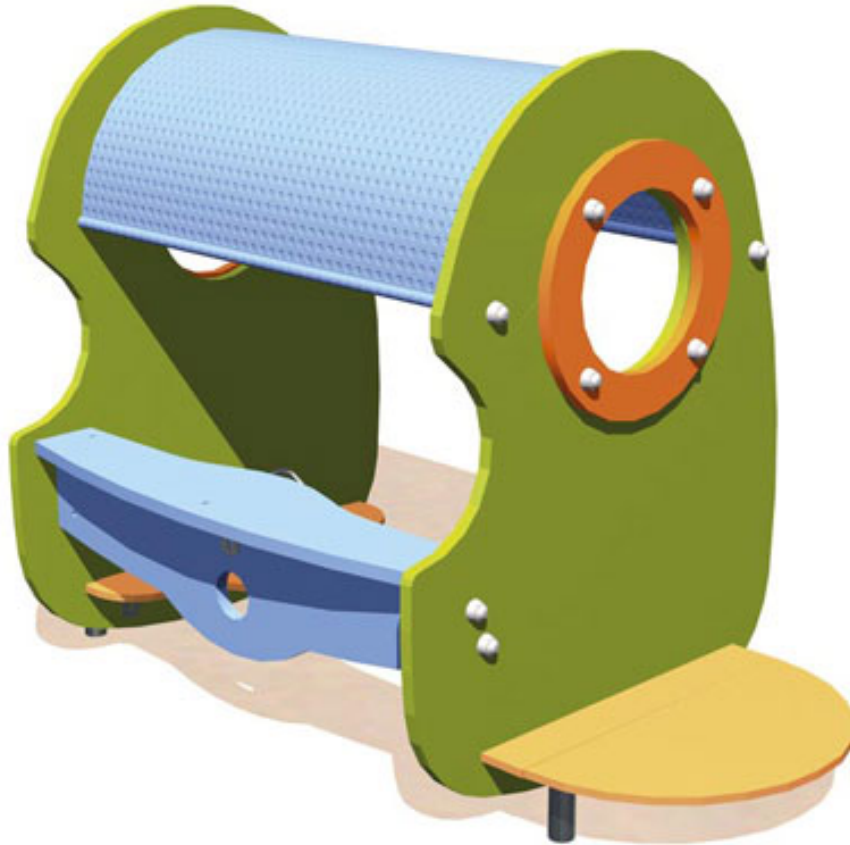
5



0,6m



1 = 1,74m 2 = 0,92m 3 = 1,14m



## Play value

handling



x1

meeting / role play



x1

Number of play elements: 2

## Accessibility



Motor disability

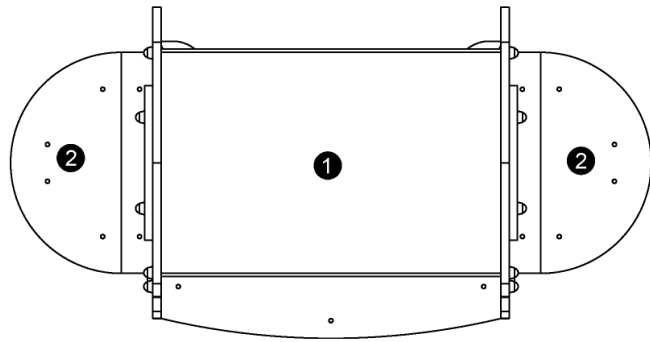


Sensorial Disabilities



Learning Disabilities



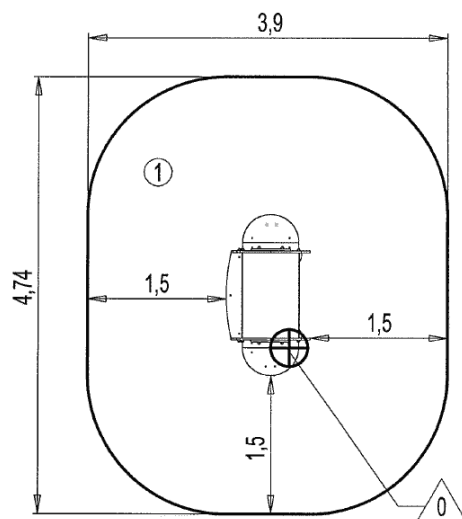


- ① The little playhouse - G3902
- ② End table - G3906



## Installation of equipment

Impact area =

-  Impact area
-  Free space



Point de Référence  
Setting Out Point  
Punto de referencia  
Bezugspunkt

		
1	<0,6m	17m <sup>2</sup>



2



03h00



0.05m<sup>3</sup>



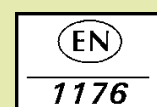
17m<sup>2</sup>



64kg



8kg



*Proludic*

2007-01-01