



0.5-5



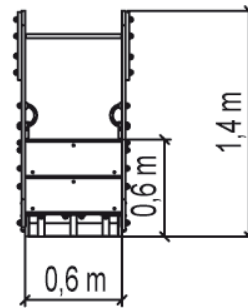
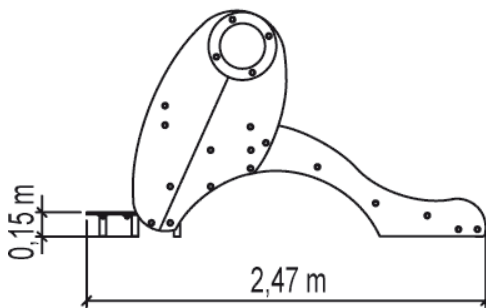
5



1m



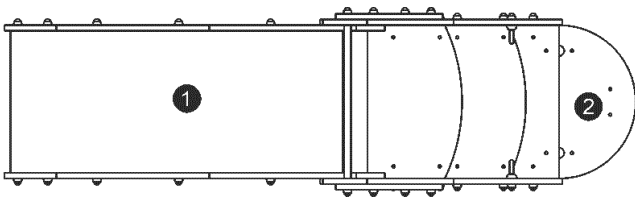
1 = 2,46m 2 = 0,72m 3 = 1,42m



Play value	
sliding x1	handling x1
Number of play elements: 2	


Accessibility	
	Motor disability <input checked="" type="checkbox"/> Sensorial Disabilities <input type="checkbox"/> Learning Disabilites <input checked="" type="checkbox"/>

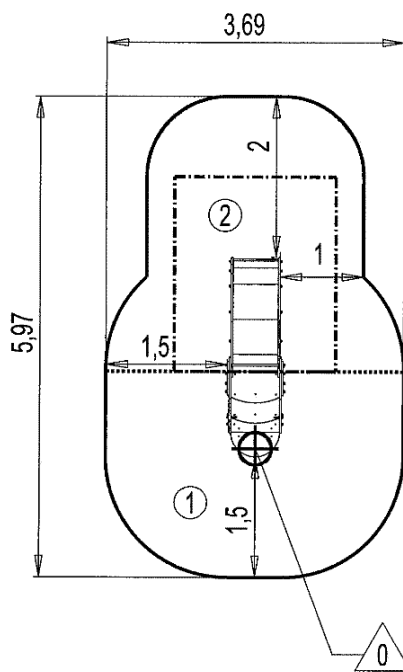
- ① The little slide - G3903
- ② End table - G3906



Installation of equipment

Impact area =

-  Impact area
-  Free space



Point de Référence
Setting Out Point
Punto de referencia
Bezugspunkt



1	<0,6m	8,5m ²
2	1,00m	10m ²



2



03h15



0.03m³



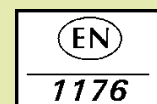
18.5m²



72kg



5kg



Proludic

2007-01-01