



3+



8



1,17m



1 = 3,43m 2 = 1,79m 3 = 3,8m



Play value

sliding



x1

climbing



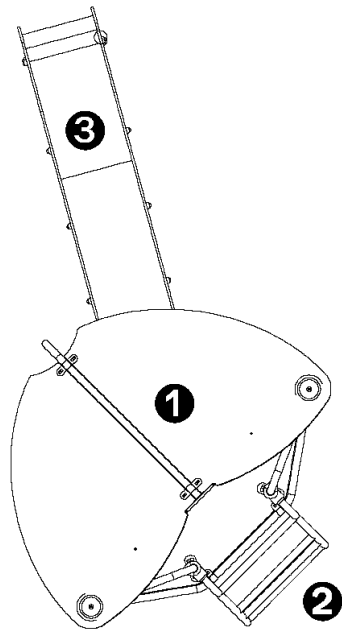
x1

meeting / role
play



x1

Number of play elements: 3

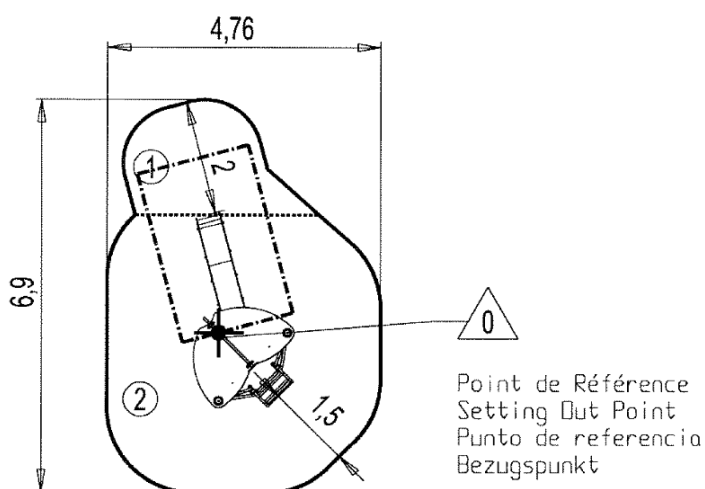


- ① Compact platform - 3 posts HT: 1.17m - G45200
- ② Ladder HT: 1.17m - G45402
- ③ Stainless steel slide HT: 1.17m - G45600

Installation of equipment

Impact area =

- Impact area
- Free space



1	1m	5m ²
2	1,17m	21m ²



2



09h00



0.3m³



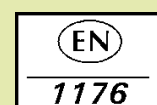
26m²



275kg



31kg



Proludic

0000-00-00