



3+



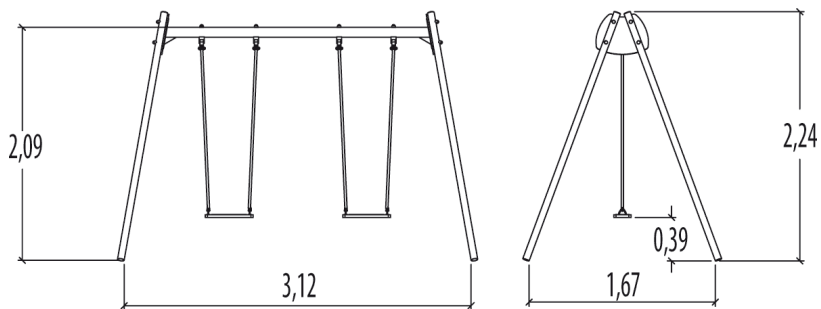
2



1,2m



1 = 3,33m 2 = 1,86m 3 = 2,2m



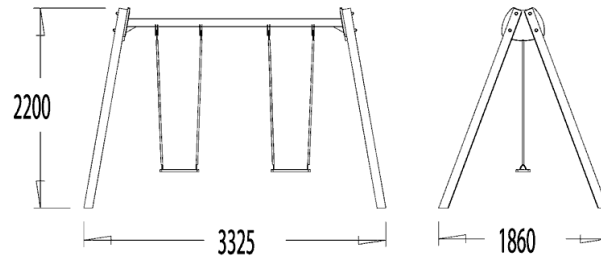
Play value

swinging



meeting / role play

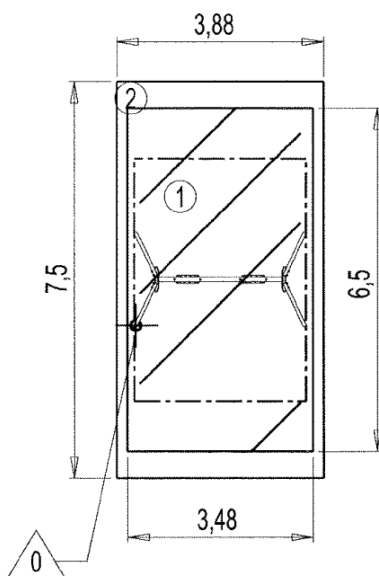






Installation of equipment

Impact area =

-  Impact area
-  Free space



Point de Référence
Setting Out Point
Punto de referencia
Bezugspunkt

		
1	1,20m	23m ²
2	1,20m	29,5m ²



2



01h50



0.11m³



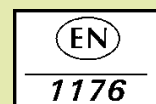
23m²



96kg



30kg



Proludic

2005-04-11