

Springers

J820



2+



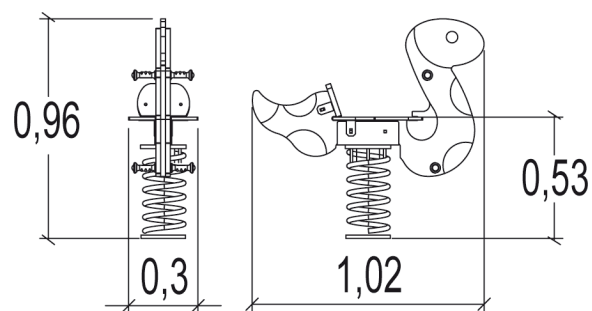
1



0,53m



1 = 1m 2 = 0,3m 3 = 0,97m



Play value

swinging



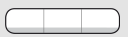
balancing



Accessibility



Motor disability



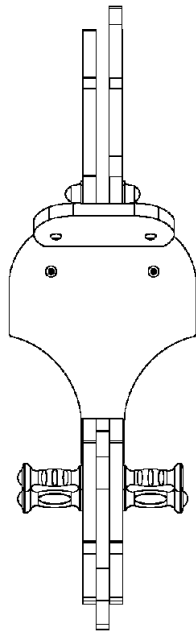
Sensorial Disabilities



Learning Disabilites



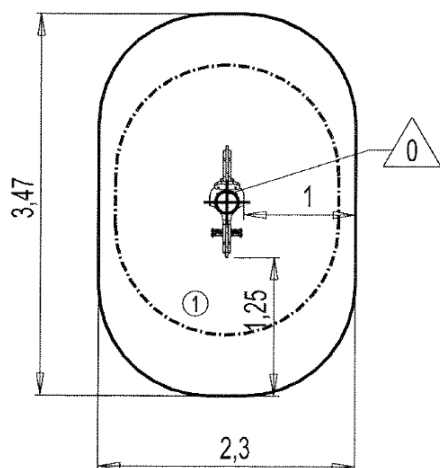
Proludic





Installation of equipment

Impact area =

-  Impact area
-  Free space



Point de Référence
Setting Out Point
Punto de referencia
Bezugspunkt

		
1	0,53m	7,5m ²



1



01h15



0m³



7.5m²



30kg



10kg



Proludic

2003-10-15