



2-10



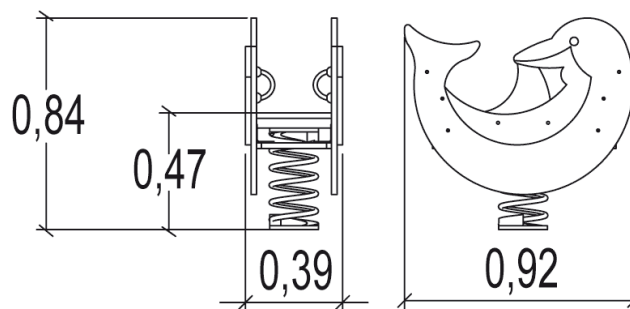
2



0,47m



1 = 0,9m 2 = 0,4m 3 = 0,76m



## Play value

swinging



balancing



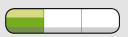
meeting / role play



## Accessibility



Motor disability

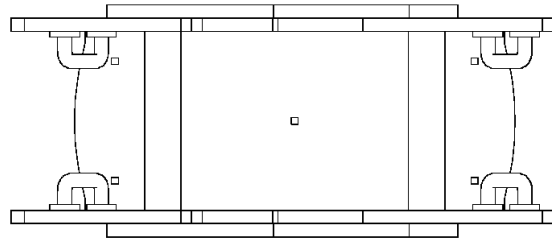


Sensorial Disabilities



Learning Disabilites





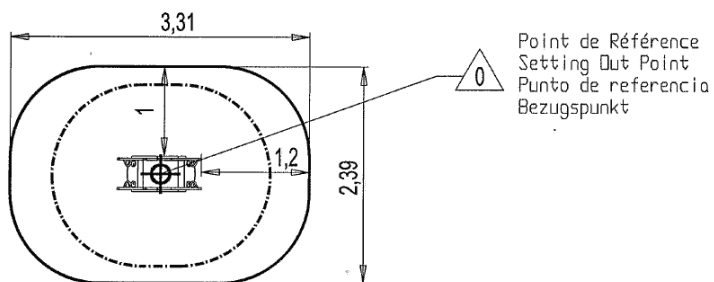


## Installation of equipment

Impact area =

-  Impact area
-  Free space

		
1	0,47m	7m <sup>2</sup>



1



01h15



0m<sup>3</sup>



7m<sup>2</sup>



38kg



11kg



*Proludic*

2003-10-15