

# Springers

J830



2+



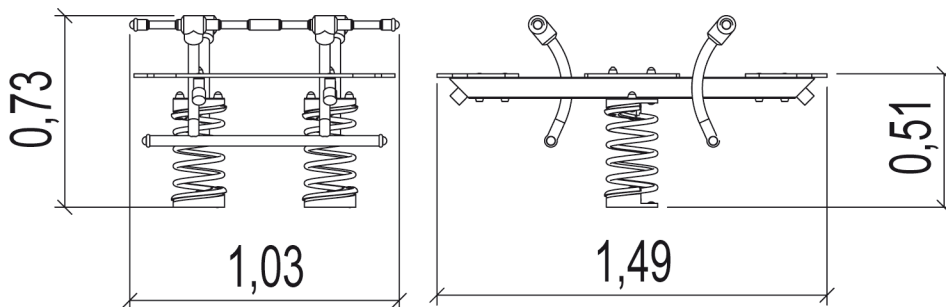
6



0,7m



1 = 1,5m 2 = 1,1m 3 = 0,7m



## Play value

swinging



balancing



meeting / role play



## Accessibility



Motor disability



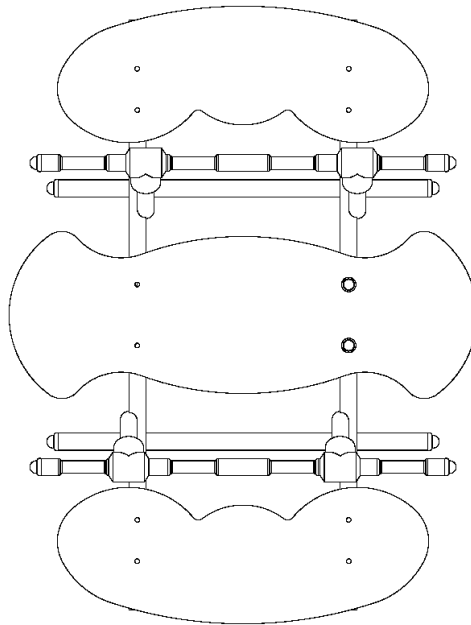
Sensorial Disabilities



Learning Disabilites



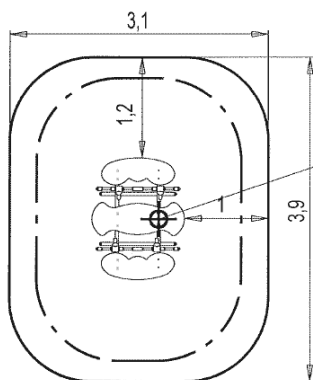
*Proludic*

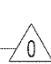




## Installation of equipment

Impact area =

-  Impact area
-  Free space



 Point de Référence  
 Setting Out Point  
 Punto de referencia  
 Bezugspunkt

		
1	0,70m	11,5m <sup>2</sup>



1



02h15



0m<sup>3</sup>



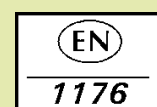
11.5m<sup>2</sup>



70kg



20kg



*Proludic*

2003-10-16