



2+



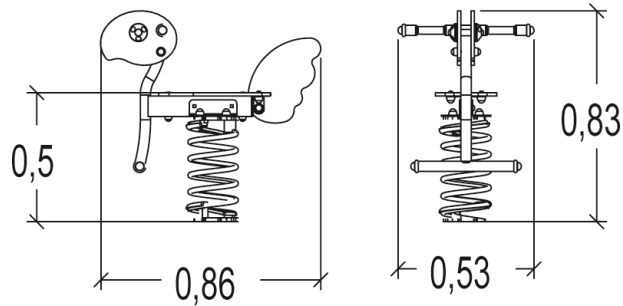
1



0,5m



1 = 0,86m 2 = 0,43m 3 = 0,84m



Play value

swinging



balancing



meeting / role play



Accessibility



Motor disability

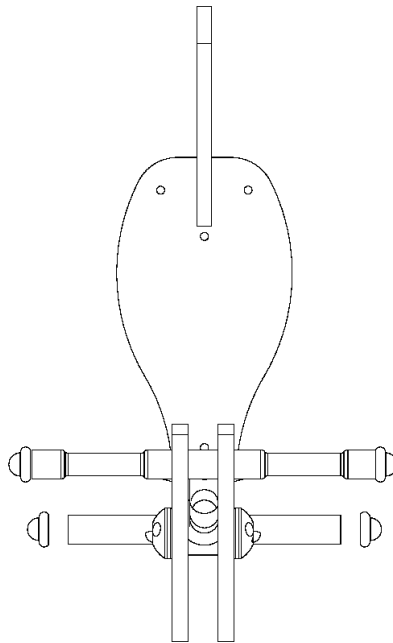


Sensorial Disabilities



Learning Disabilities

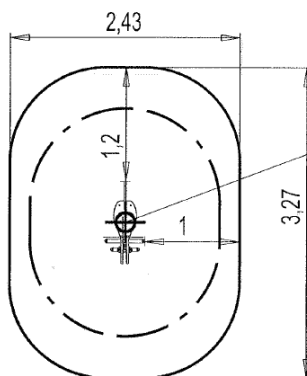






Installation of equipment

Impact area =

-  Impact area
-  Free space



Point de Référence
Setting Out Point
Punto de referencia
Bezugspunkt

	
1	0,5m
	7m ²



1



01h00



0m³



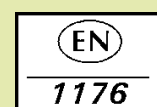
7m²



37kg



18kg



Proludic

2003-10-16