



2+



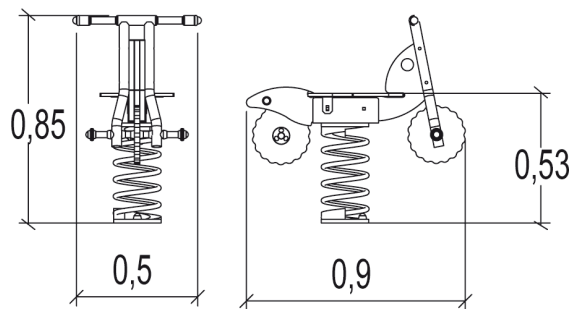
1



0,53m



1 = 0,9m 2 = 0,51m 3 = 0,9m



Play value

swinging



balancing



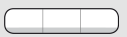
meeting / role play



Accessibility



Motor disability

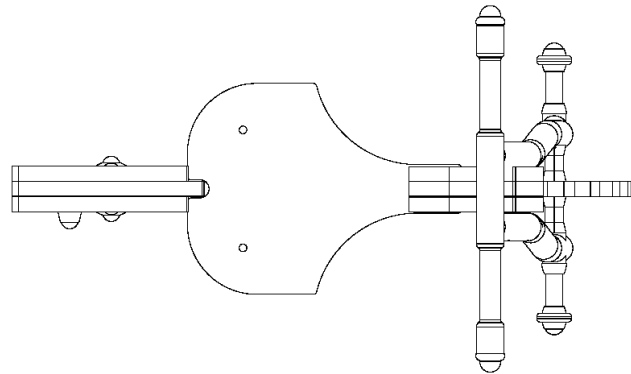


Sensorial Disabilities



Learning Disabilites





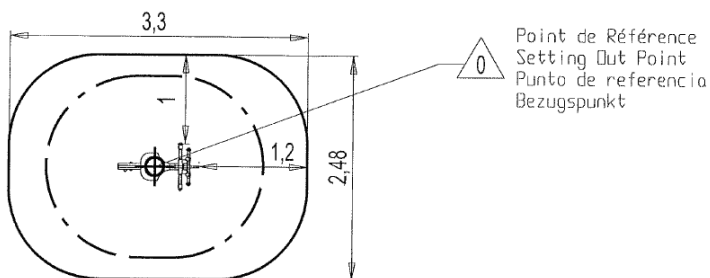


Installation of equipment

Impact area =

-  Impact area
-  Free space

		
1	0,53m	7,5m ²



1



01h15



0m³



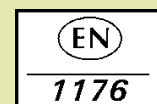
7.5m²



30kg



10kg



Proludic

2003-10-16