



2-8



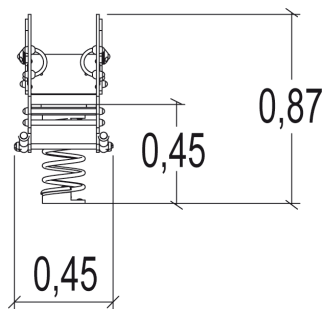
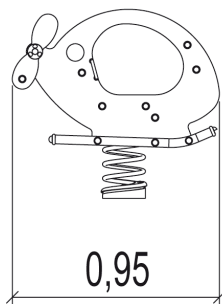
1



0,46m



1 = 1,22m 2 = 0,43m 3 = 0,94m



Play value

swinging



balancing



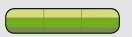
meeting / role
play



Accessibility



Motor disability

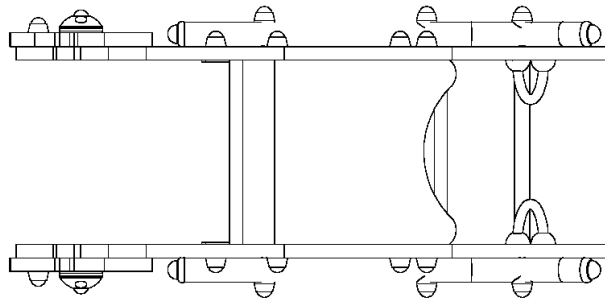


Sensorial Disabilities



Learning Disabilites





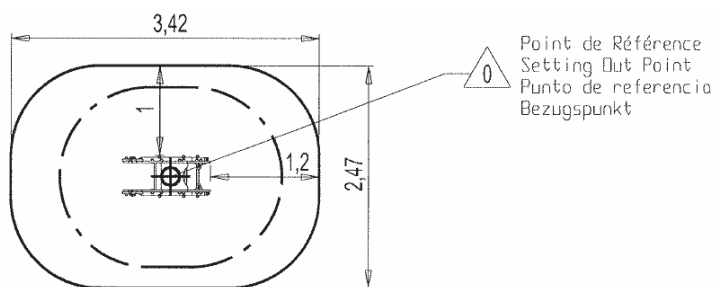


Installation of equipment

Impact area =

-  Impact area
-  Free space

		
1	0,46m	8m ²



1



01h15



0m³



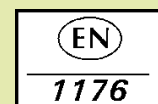
8m²



39kg



11kg



Proludic

2003-10-20