

Springers

J846



2+



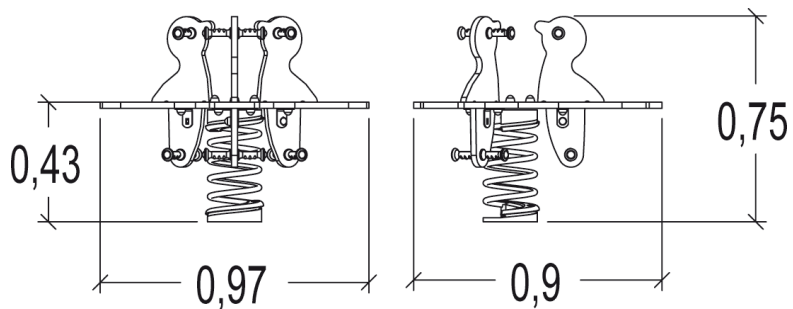
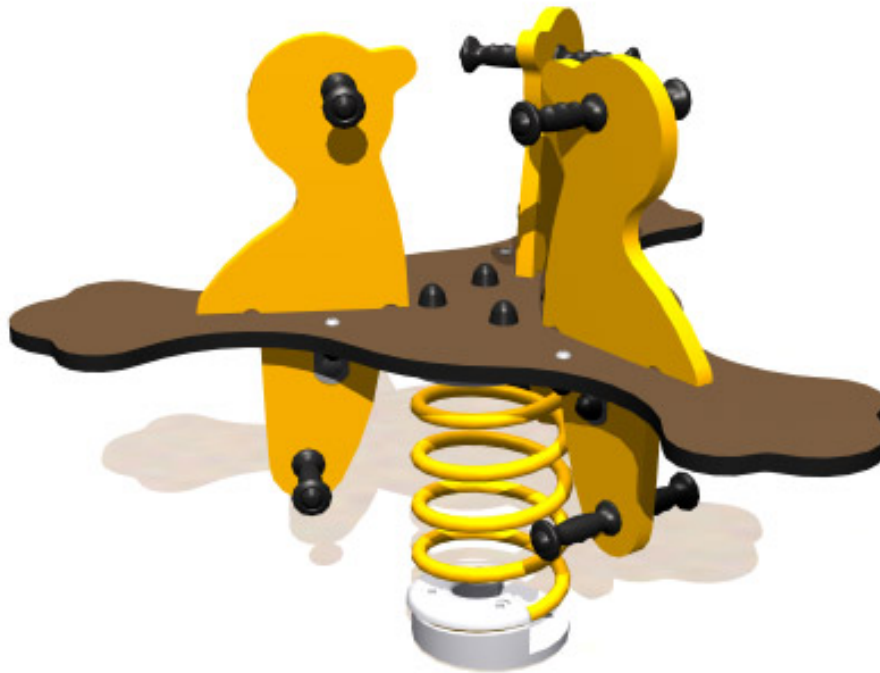
3



0,43m



1 = 0,98m 2 = 0,91m 3 = 0,75m



Play value

swinging



balancing



Accessibility



Motor disability



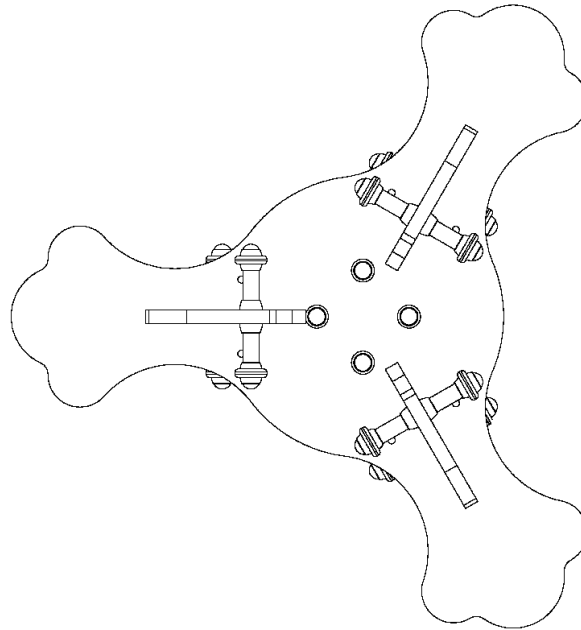
Sensorial Disabilities



Learning Disabilities





Proludic

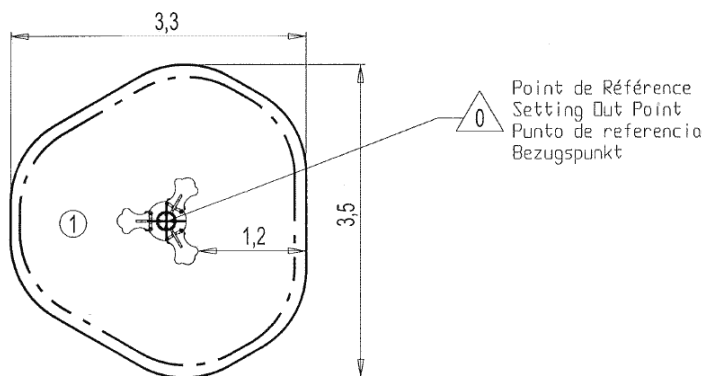


Installation of equipment

Impact area =

-  Impact area
-  Free space

	
1	0,43m
	9m ²



1



01h00



0m³



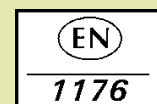
9m²



29kg



8kg



Proludic

2012-11-07