



2+



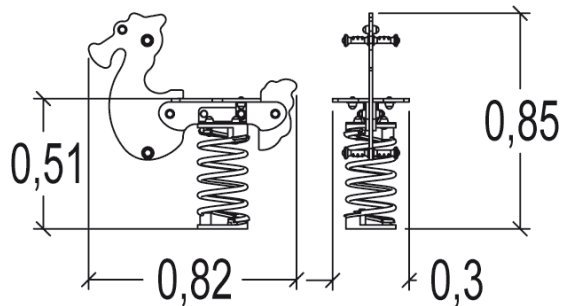
1



0,52m



1 = 0,82m 2 = 0,3m 3 = 0,85m



Play value

swinging



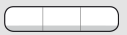
balancing



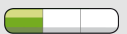
Accessibility



Motor disability

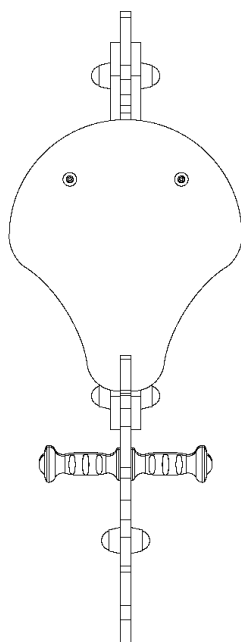


Sensorial Disabilities



Learning Disabilities





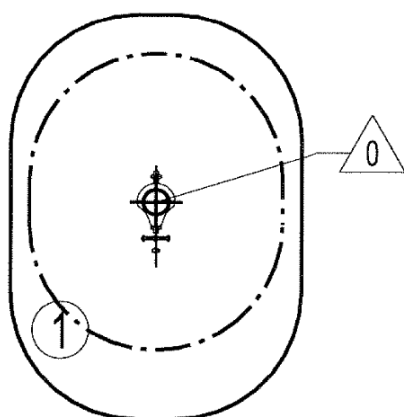


Installation of equipment

Impact area =

-  Impact area
-  Free space

		
1	0,52m	6,5m ²



Point de Référence
Setting Out Point
Punto de referencia
Bezugspunkt



2



00h00



0m³



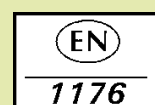
6.6m²



24kg



7kg



Proludic

0000-00-00