



2-8



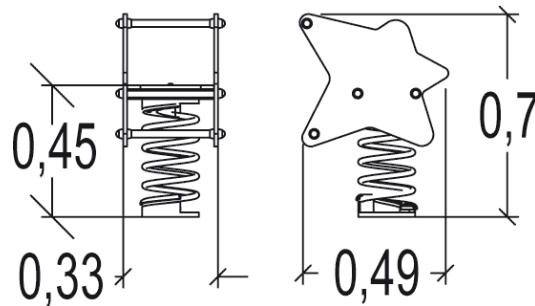
1



0,52m



1 = 0,52m 2 = 0,33m 3 = 0,7m



Play value

swinging



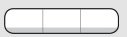
balancing



Accessibility



Motor disability

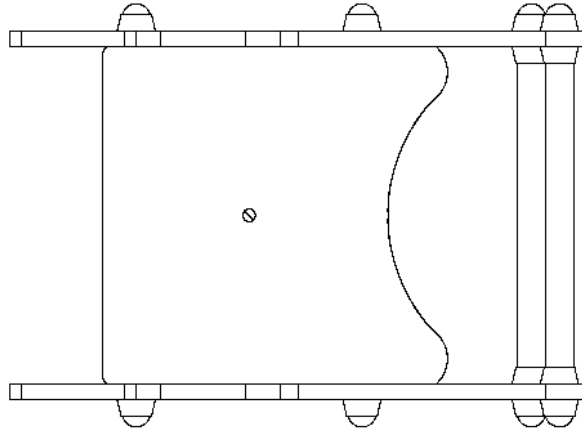


Sensorial Disabilities



Learning Disabilities





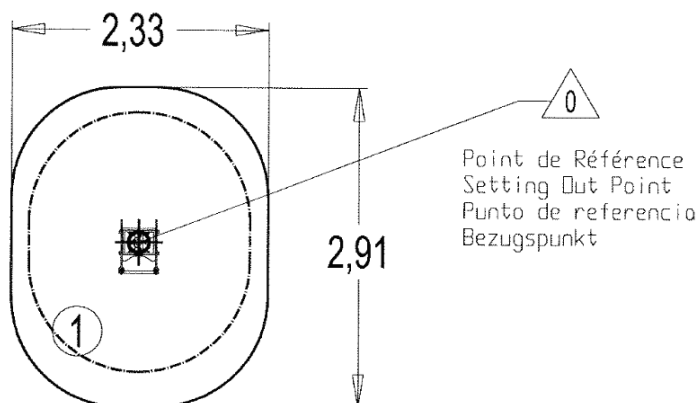


Installation of equipment

Impact area =

-  Impact area
-  Free space

		
1	0,47m	6m ²



2



00h00



0m³



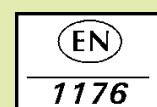
5.9m²



26kg



7kg



Proludic

0000-00-00