

Springers

J986



4+



2

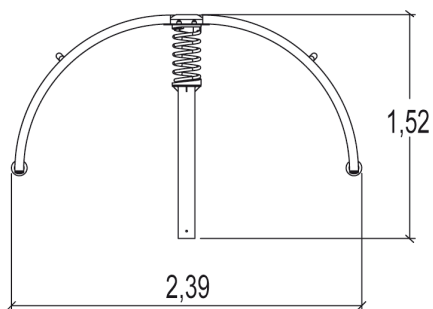
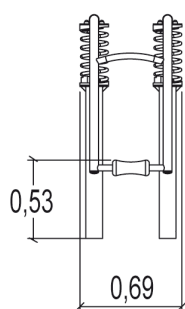


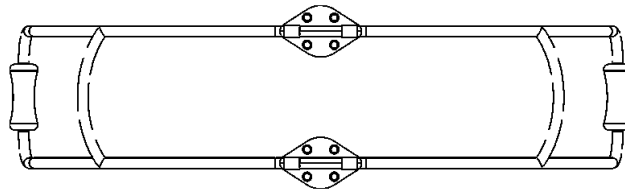
1m



1 = 2,38m 2 = 0,7m 3 = 1,67m

If installed onto wetpour safer surfacing, we recommend a NON-FINES CONCRETE BASE.





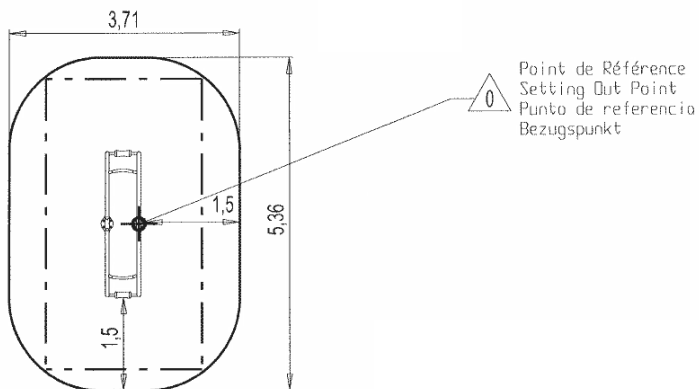


Installation of equipment

Impact area =

-  Impact area
-  Free space

	
1	18m ²



2



04h00



0.35m³



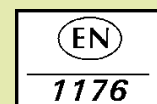
18m²



61kg



45kg



Proludic

2008-03-12