



2+



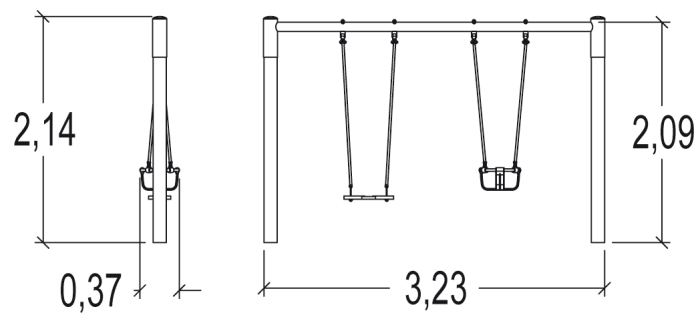
2



1,2m



1 = 3,2m 2 = 1,2m 3 = 2,1m



Play value

meeting / role play



hiding / resting



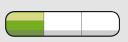
swinging



Accessibility



Motor disability

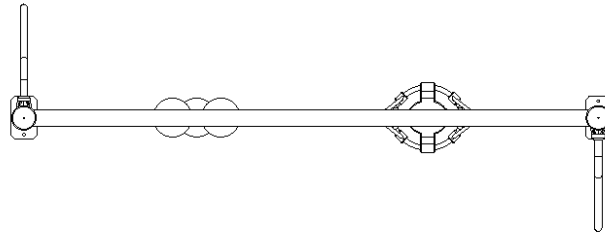


Sensorial Disabilities



Learning Disabilities

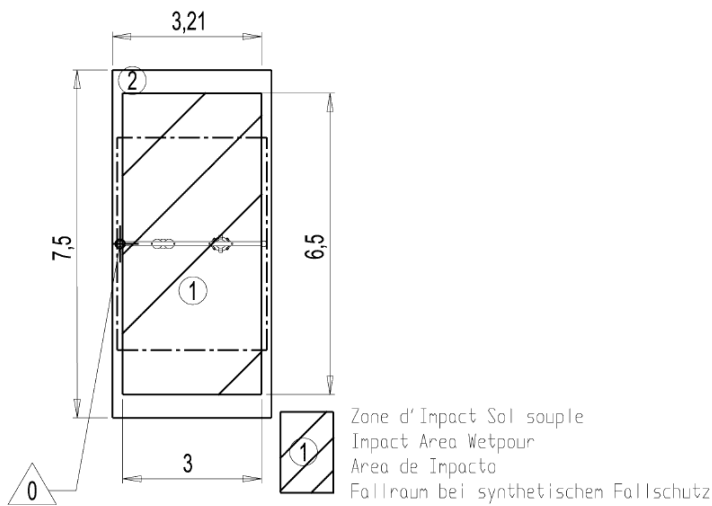




Installation of equipment

Impact area =

- Impact area
- Free space



Point de Référence
Setting Out Point
Punto de referencia
Bezugspunkt

2

Zone d'Impact Sol fluent
Impact Area Loose particle material
Arenero
Loses bei losen Bodennmaterial

1	1,2m	19,5m ²
2	1,2m	26m ²

2

01h30

0m³

19.5m²

87kg

30kg

EN
1176

0000-00-00